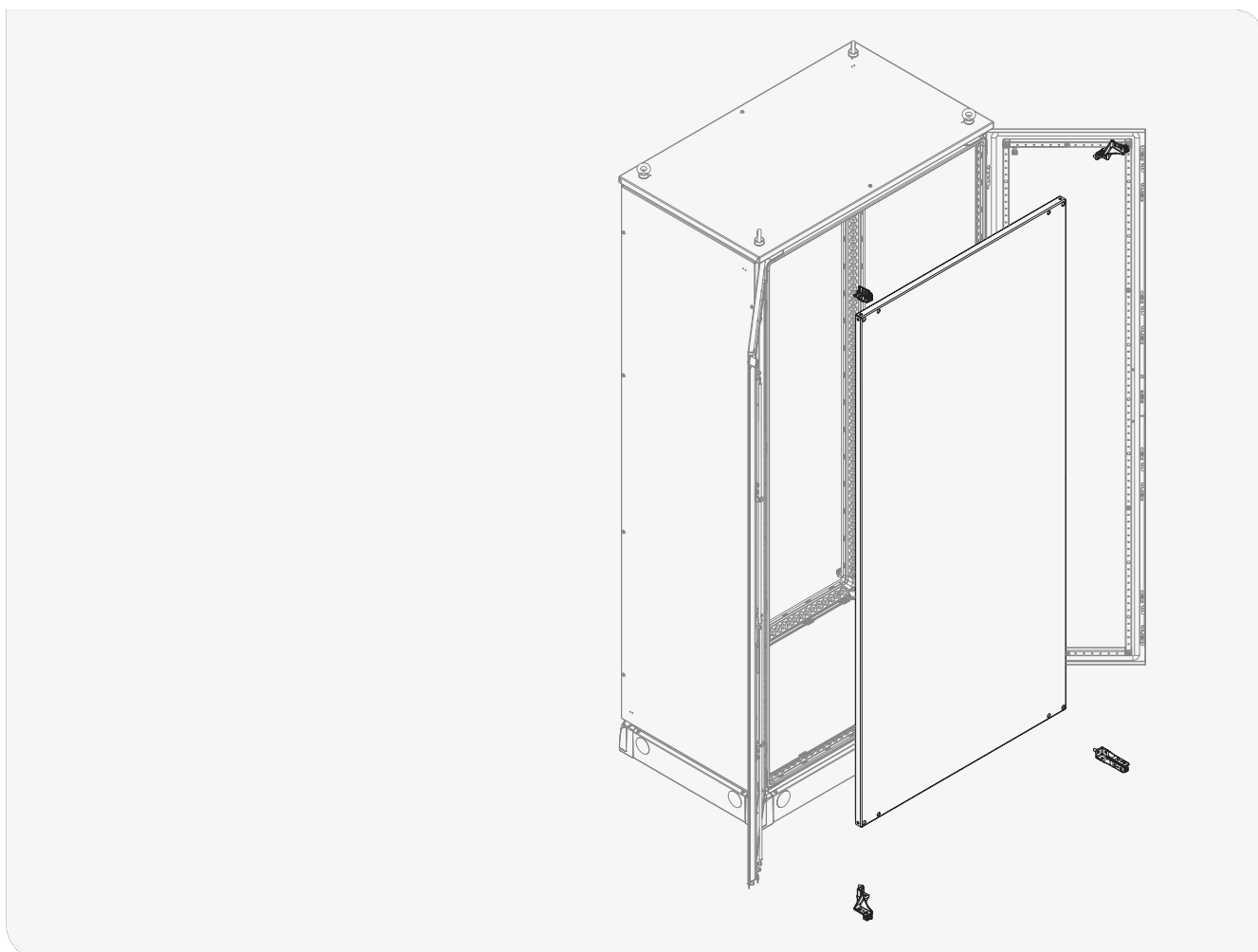


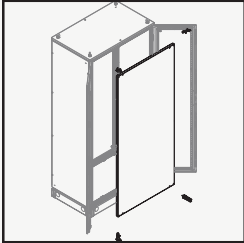
iLINQ LQMP & LQMF : Mounting Pans

Assembly Manual

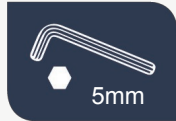


Quick Reference

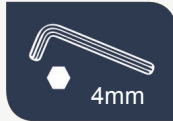
Mounting pan fitting	8-1-1
Mounting pan depth adjustment	8-2-1
Mounting pan infill for bayed systems	8-3-1
Alternative mounting option	8-4-1
Alternative mounting option	8-5-1



iLINQ Mounting Pan



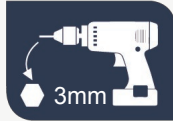
5mm



4mm



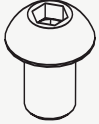
3mm



Recommended for self tapping screws



Tools required:



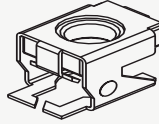
DRQ05662



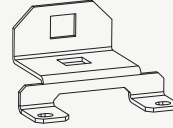
DRQ05653



DRQ05650



DRJ05153

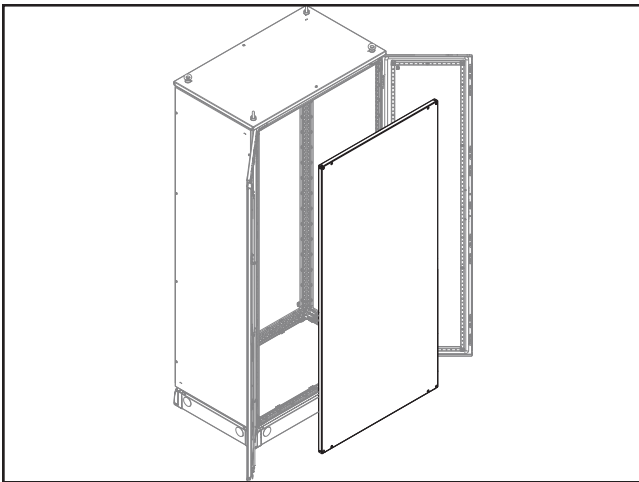


DAC10077

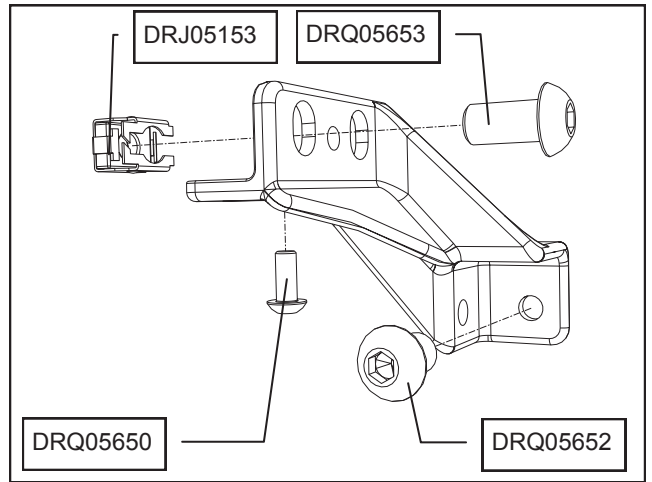
Referenced components:

Mounting pan fitting

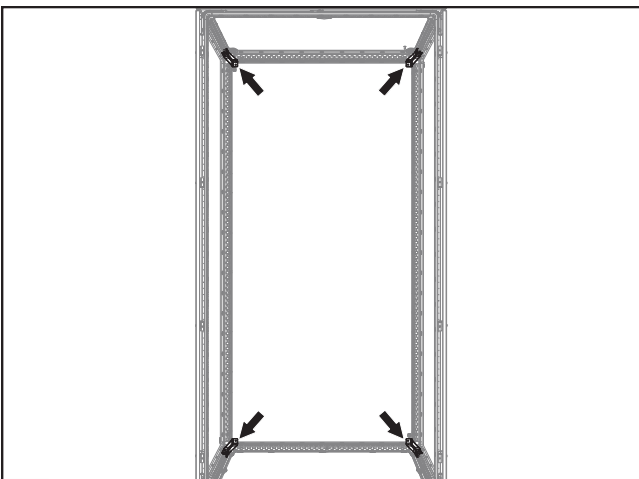
8-0-1



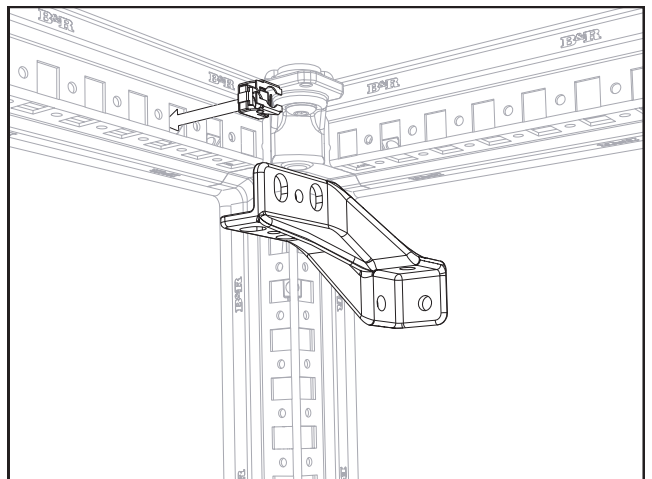
8-0-2



8-1-1



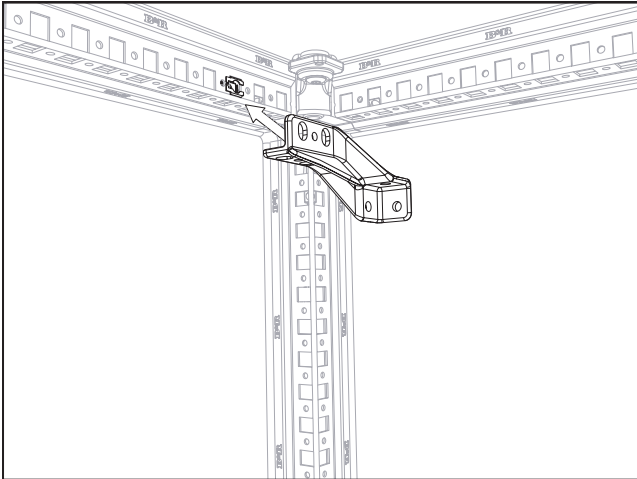
8-1-2



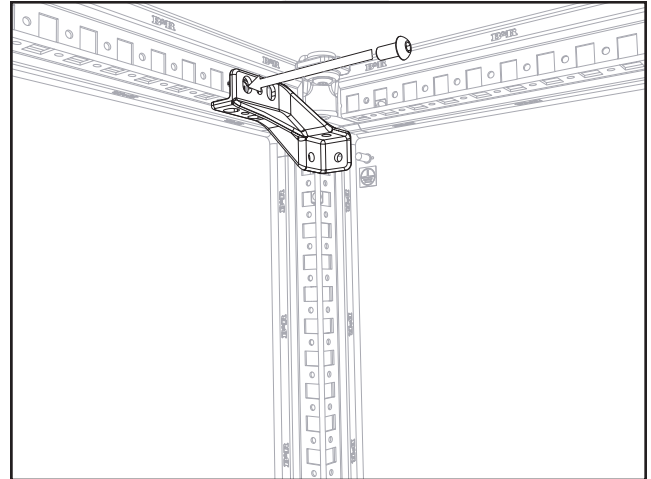
Mounting pan fitting



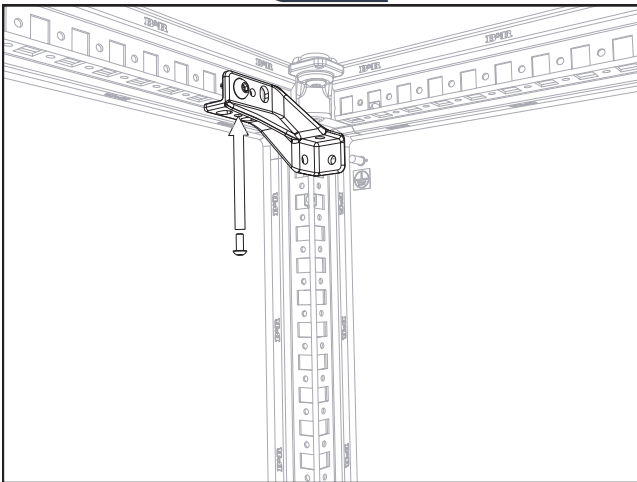
8-1-3



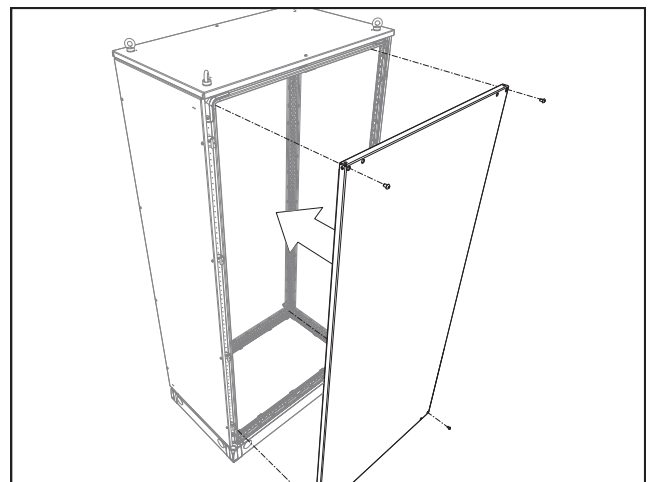
8-1-4



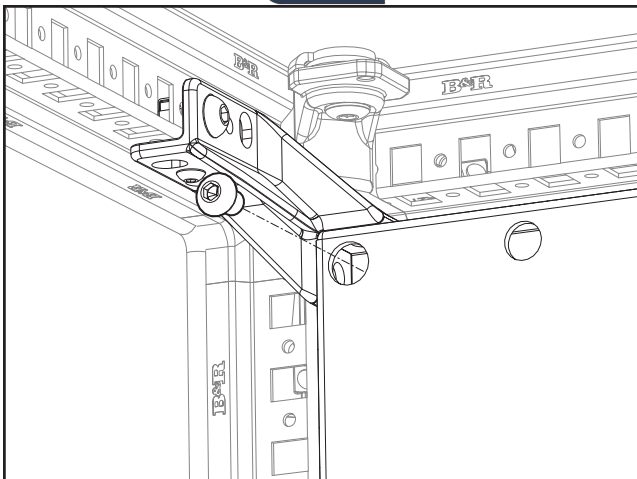
8-1-5



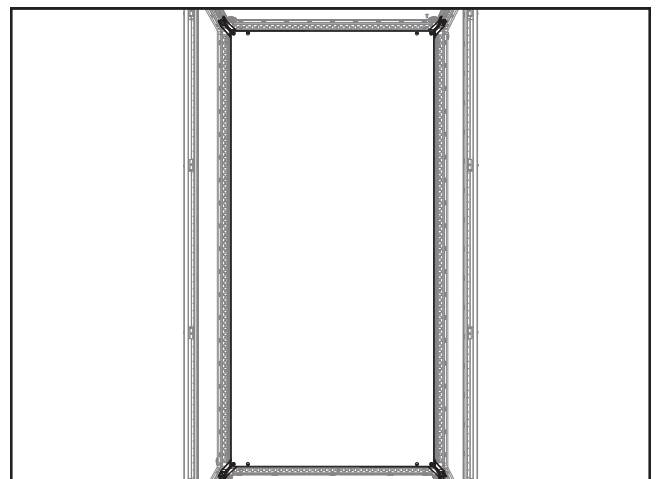
8-1-6



8-1-7



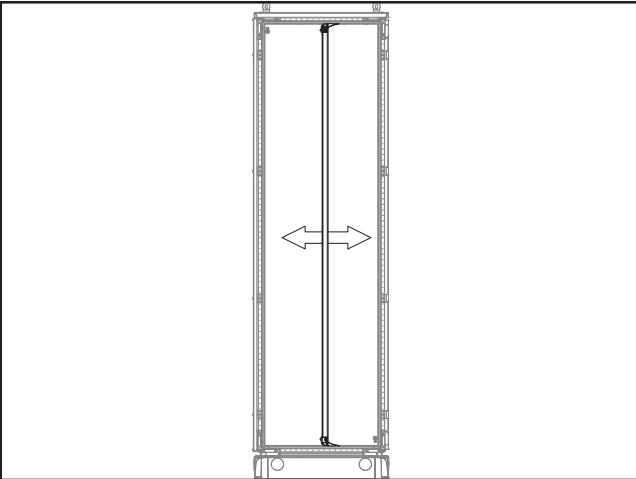
8-1-8



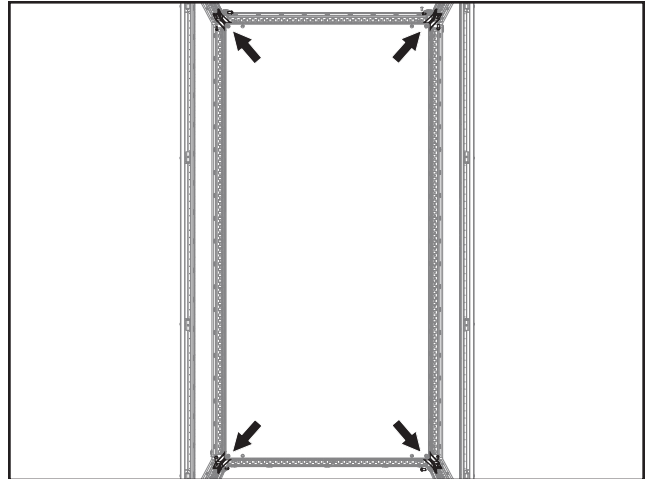
Mounting pan depth adjustment



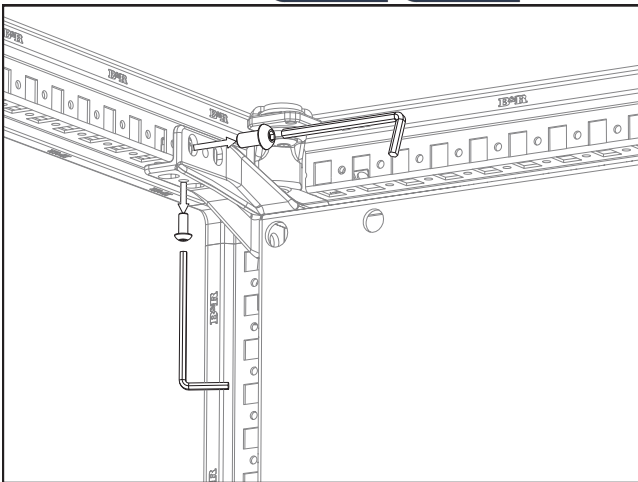
8-2-1



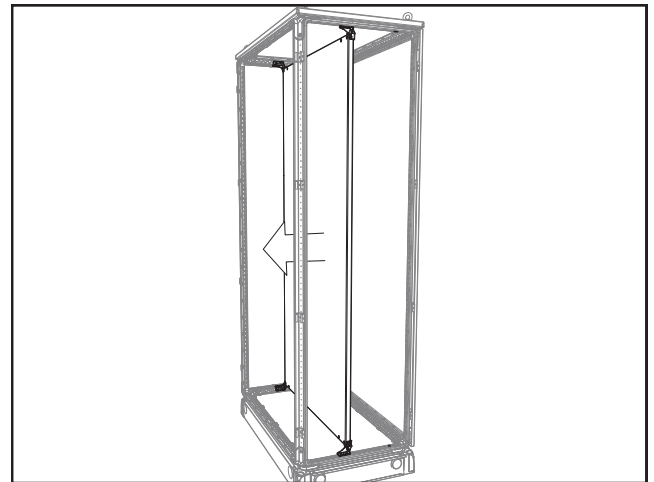
8-2-2



8-2-3

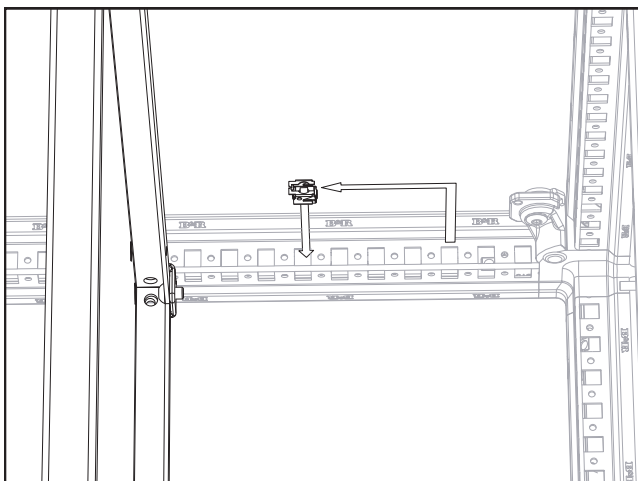


8-2-4



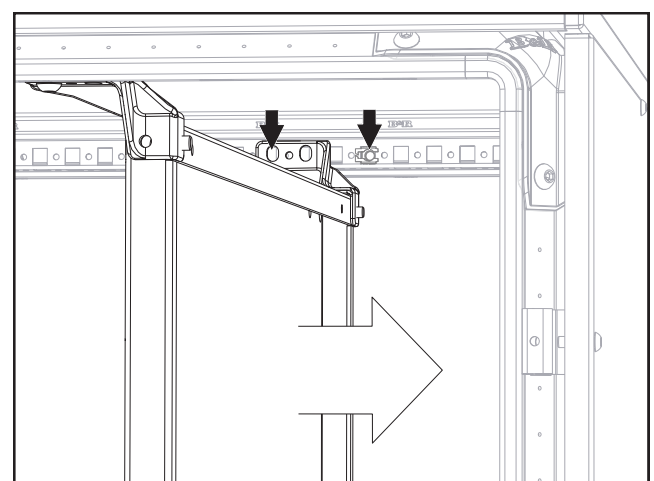
8-2-5

Move cage nut to desired position



8-2-6

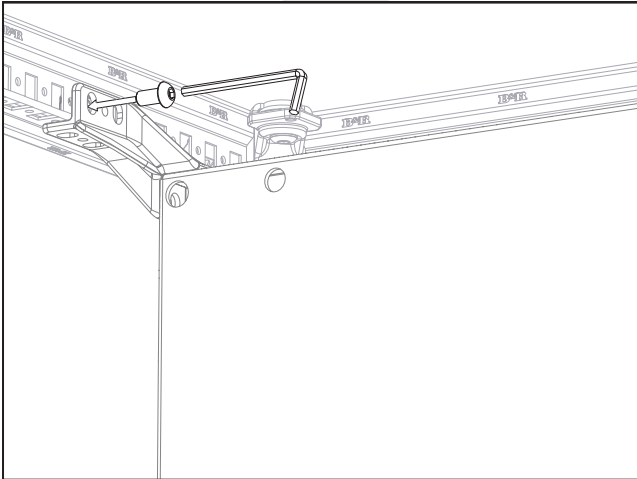
Align brackets with cage nuts



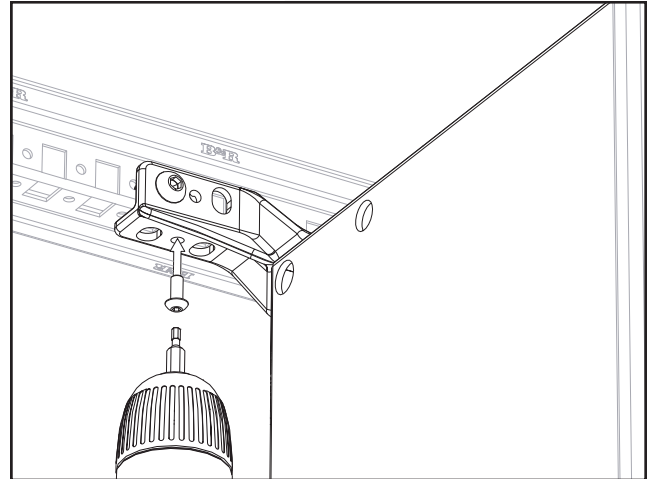
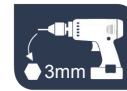
Mounting pan depth adjustment



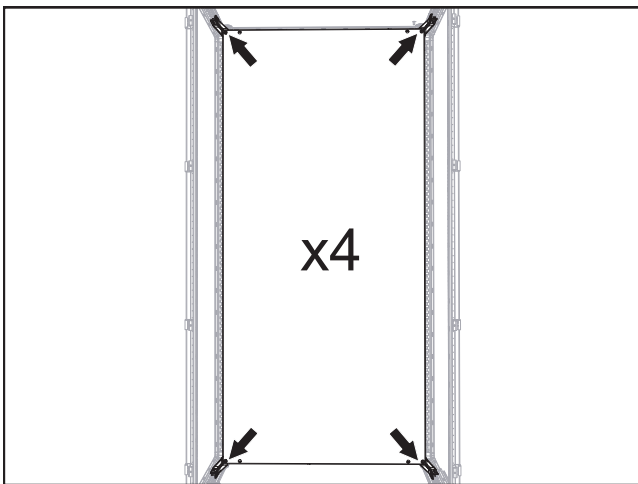
8-2-7



8-2-8



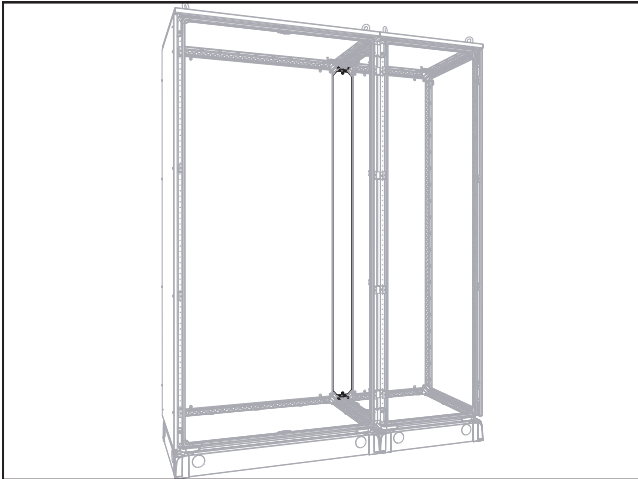
8-2-9



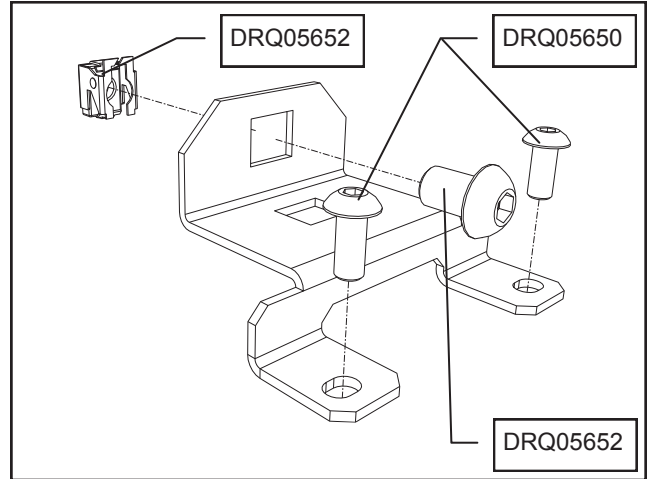
Filler mounting pan fitting



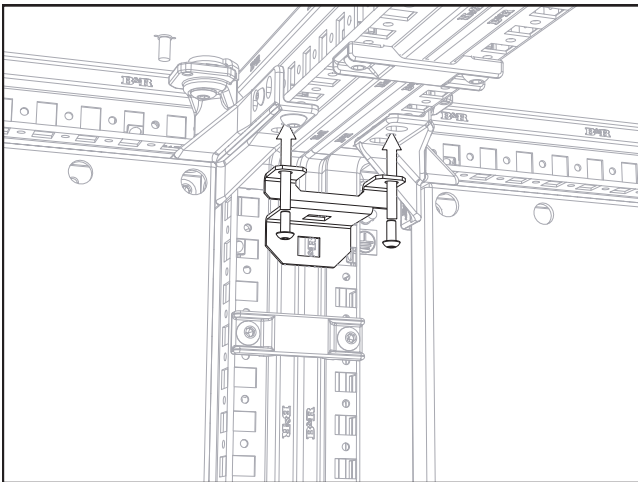
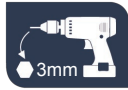
8-3-1



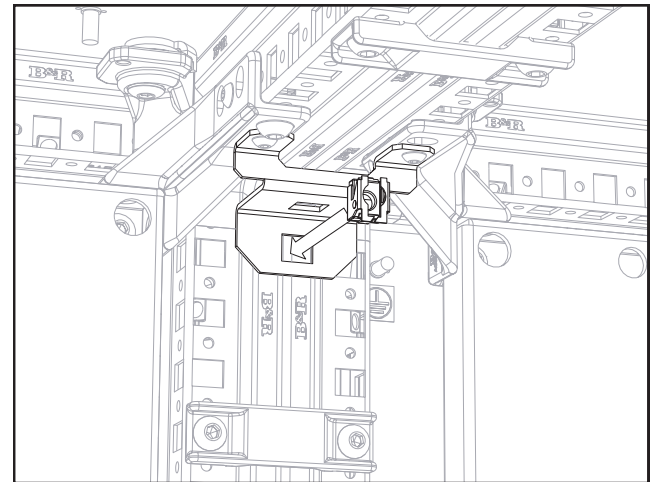
8-3-2



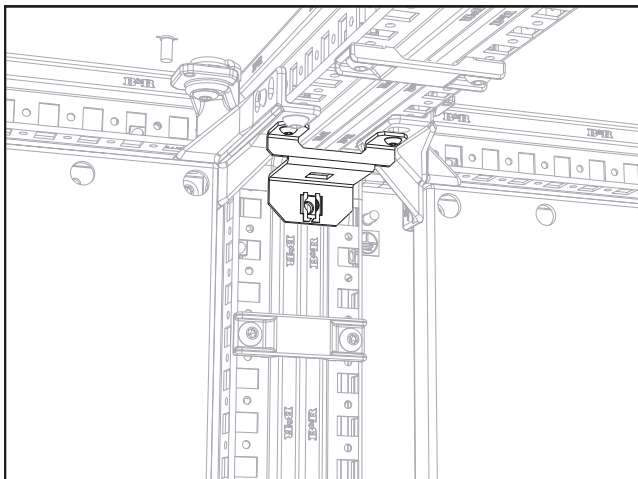
8-3-3



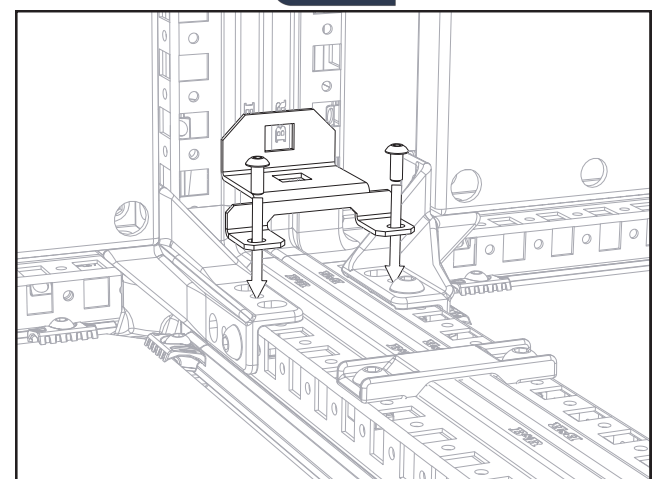
8-3-4



8-3-5



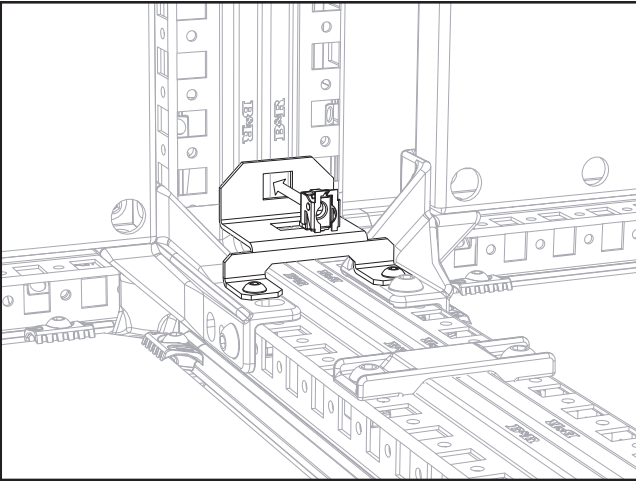
8-3-6



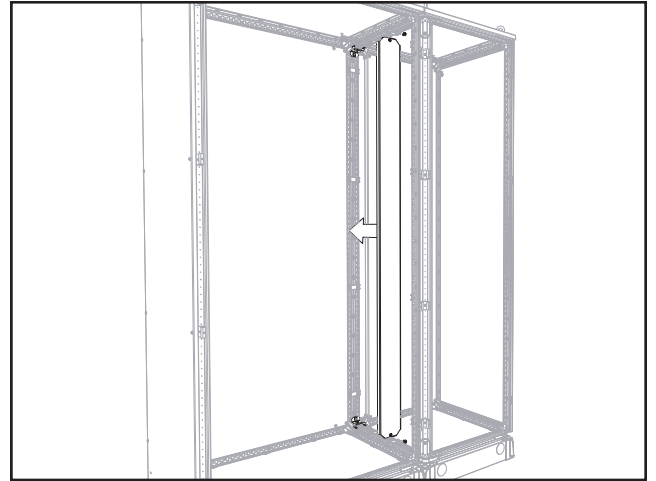
Filler mounting pan fitting



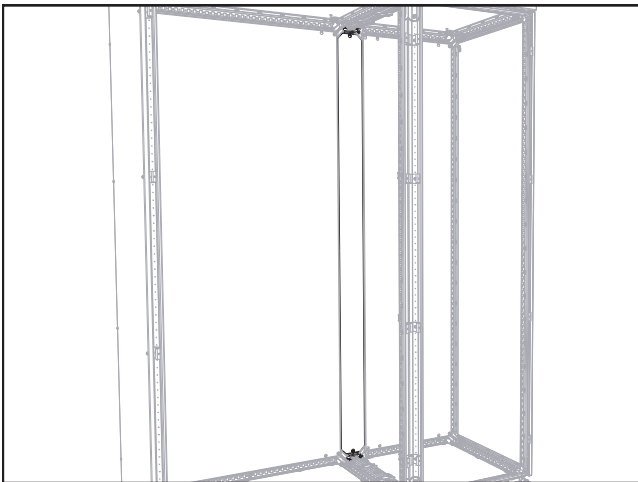
8-3-7



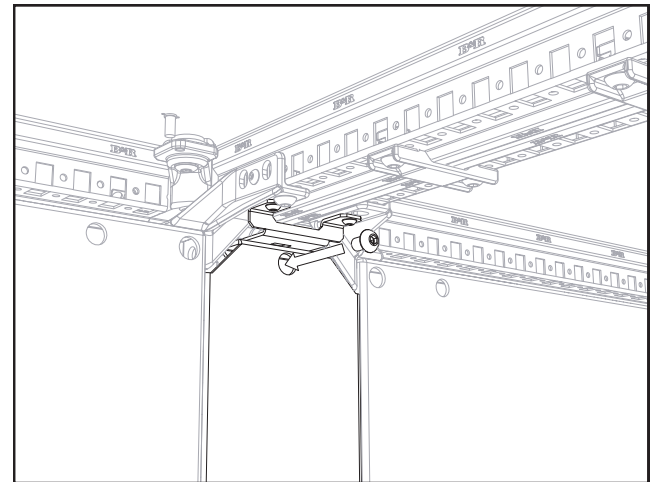
8-3-8



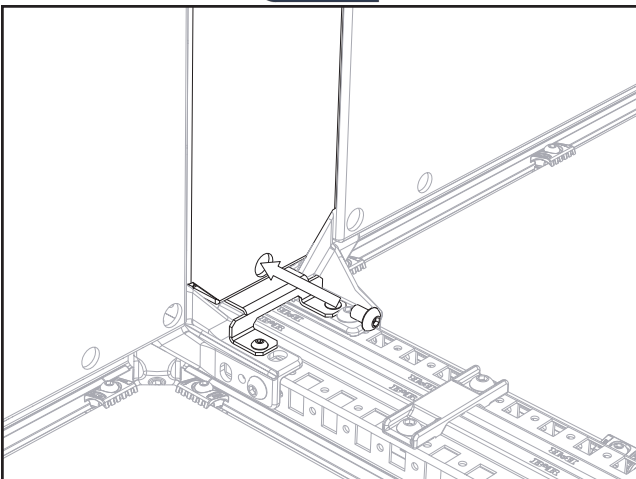
8-3-9



8-3-10



8-3-11



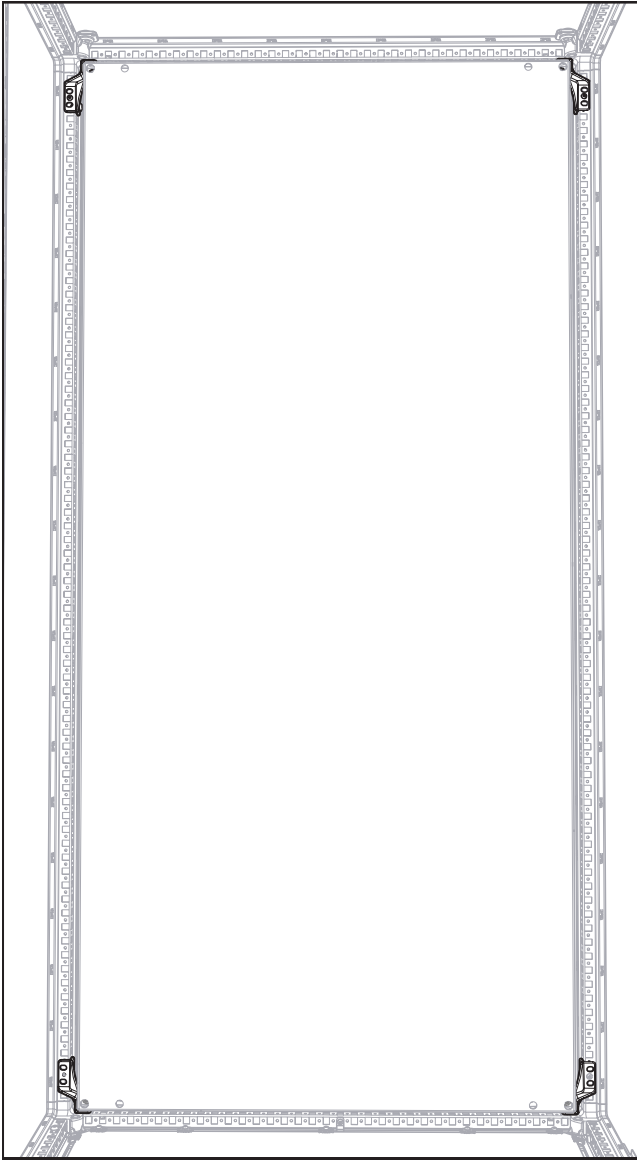
8-3-12



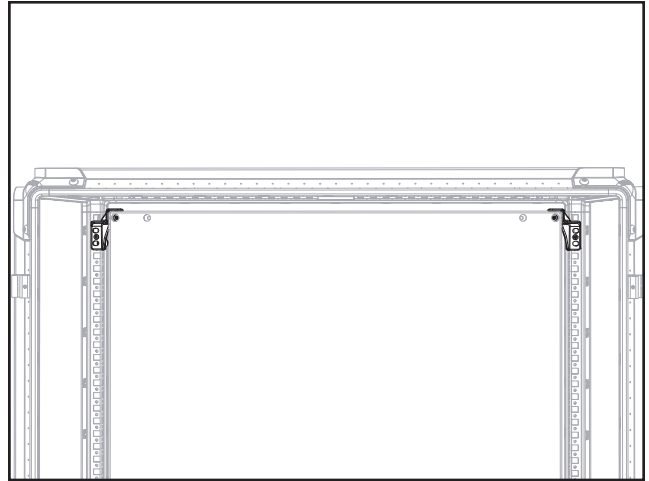
Alternative mounting option



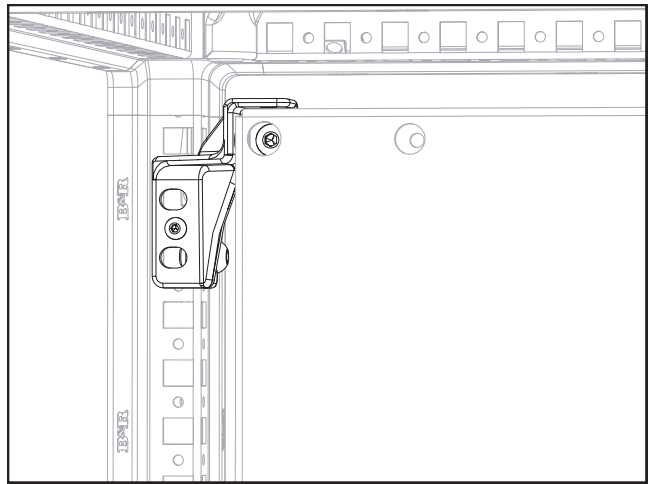
8-4-1



8-4-2

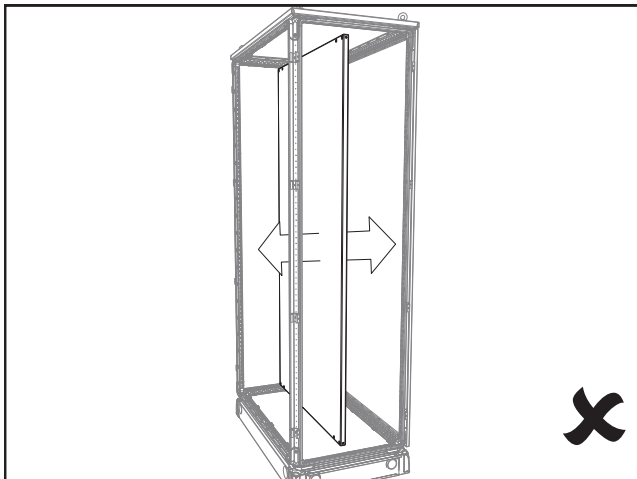


8-4-3



8-4-4

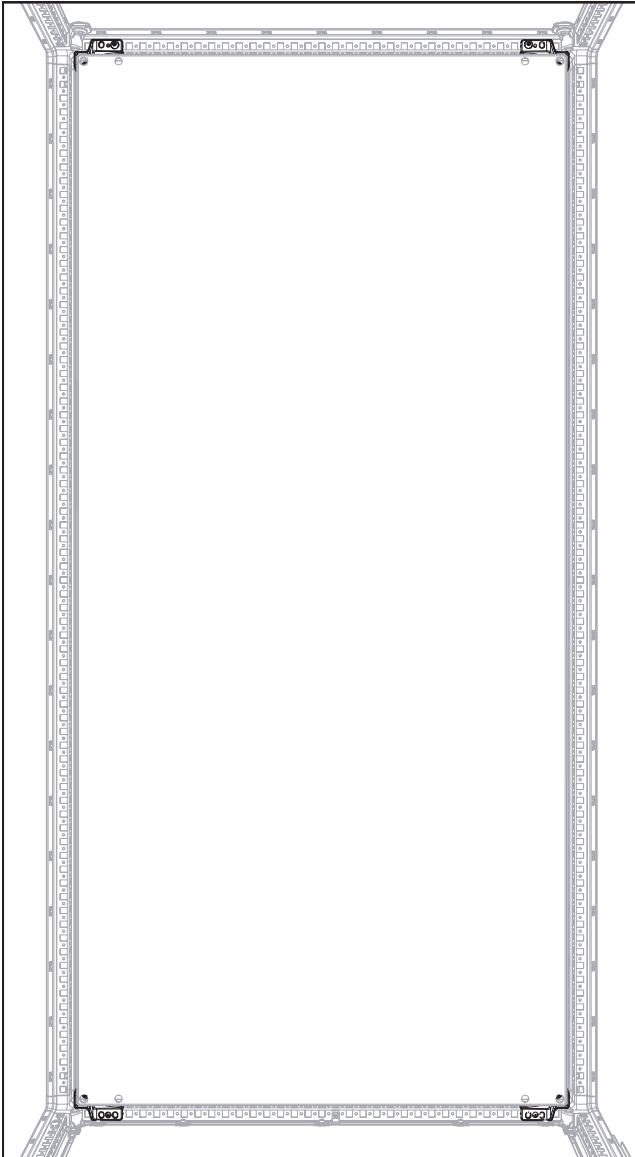
Note: Depth adjustment not possible with this method



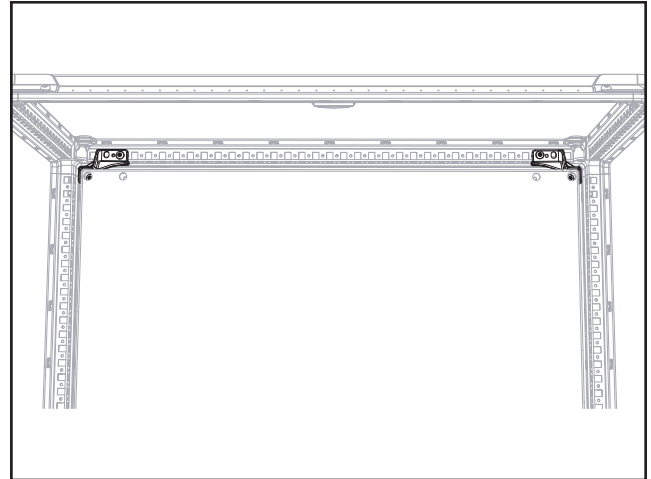
Alternative mounting option



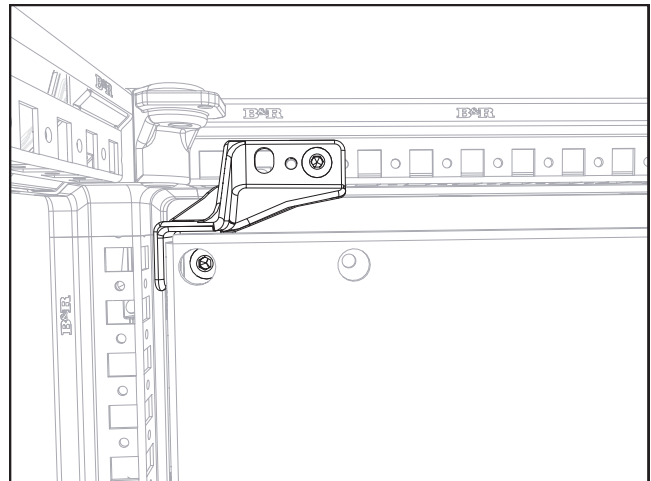
8-5-1



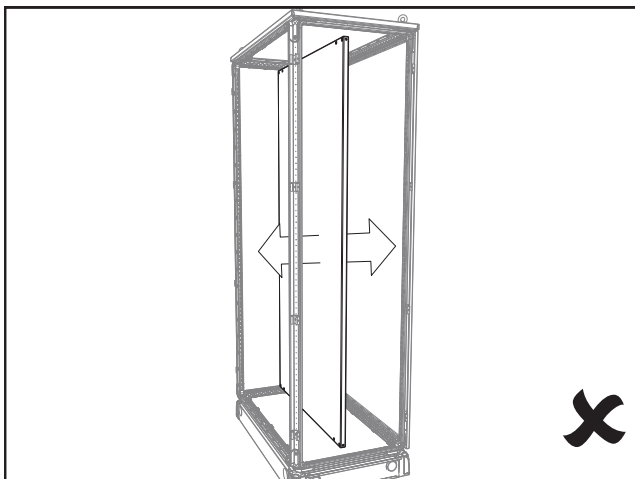
8-5-2



8-5-3



8-5-4 Note: Depth adjustment not possible with this method





National Sales

T: 1300 Enclosures (1300 362 567)

brenclosures.com.au

Head Office

51 Stradbroke Street Heathwood QLD 4110 Australia
PO Box 1151 Browns Plains BC QLD 4118 Australia
T: +61 7 3714 1000

QLD Office—Sales & Warehouse

51 Stradbroke Street Heathwood QLD 4110 Australia
PO Box 1151 Browns Plains BC QLD 4118 Australia
T: +61 7 3714 1000

North QLD Office - Sales & Warehouse

Unit 4 / 780 Ingham Road Mount Louisa QLD 4814 Australia
PO Box 7615 Garbutt QLD 4815 Australia
T: +61 7 4727 1900

NSW & ACT Office – Sales & Warehouse

7 Metters Place Wetherill Park NSW 2164 Australia
T: +61 2 9915 9555

VIC & TAS Office – Sales & Warehouse

50-52 Sunmore Close Heatherton VIC 3202 Australia
T: +61 3 9552 0552

SA & NT Office – Sales & Warehouse

505 Grand Junction Way Wingfield SA 5013 Australia
T: +61 8 8417 6222

Northern Territory – Distribution

Jewell Distributors Pty Ltd
Cnr Hidden Valley & Beaton Roads Berrimah NT 0828 Australia
T: +61 8 8947 0870

WA Office – Sales & Warehouse

6 Montgomery Way Malaga WA 6090 Australia
T: +61 8 6310 4777