

# Primo Range



- Robust construction to ensure long service life.
- Region C wind rated to AS1170.2-2002: Structural design actions – Wind actions.
- Wide double door enclosures have no central mullion allowing full width accessibility.
- Special door hinging allows field reversible doors to be left or right hinged.
- Full height open sides allow trouble-free direct buying of enclosures (side covers to be purchased separately).
- Manufactured from
  - 1.6mm zinc coated steel,
  - 1.5mm 316 stainless steel or
  - 2mm aluminium.
- Powdercoated Light Grey RAL7035.

Comes standard with:

- Large 3mm aluminium gland plate
- Stainless steel door hinges
- Padlockable swing handle door lock with optional 92268 or CL001 cylinder provided
- Document holder
- 3-point locking
- Top and bottom mullion rail
- Includes AS/NZS 61439 compliance documentation



## ORDERING GUIDE

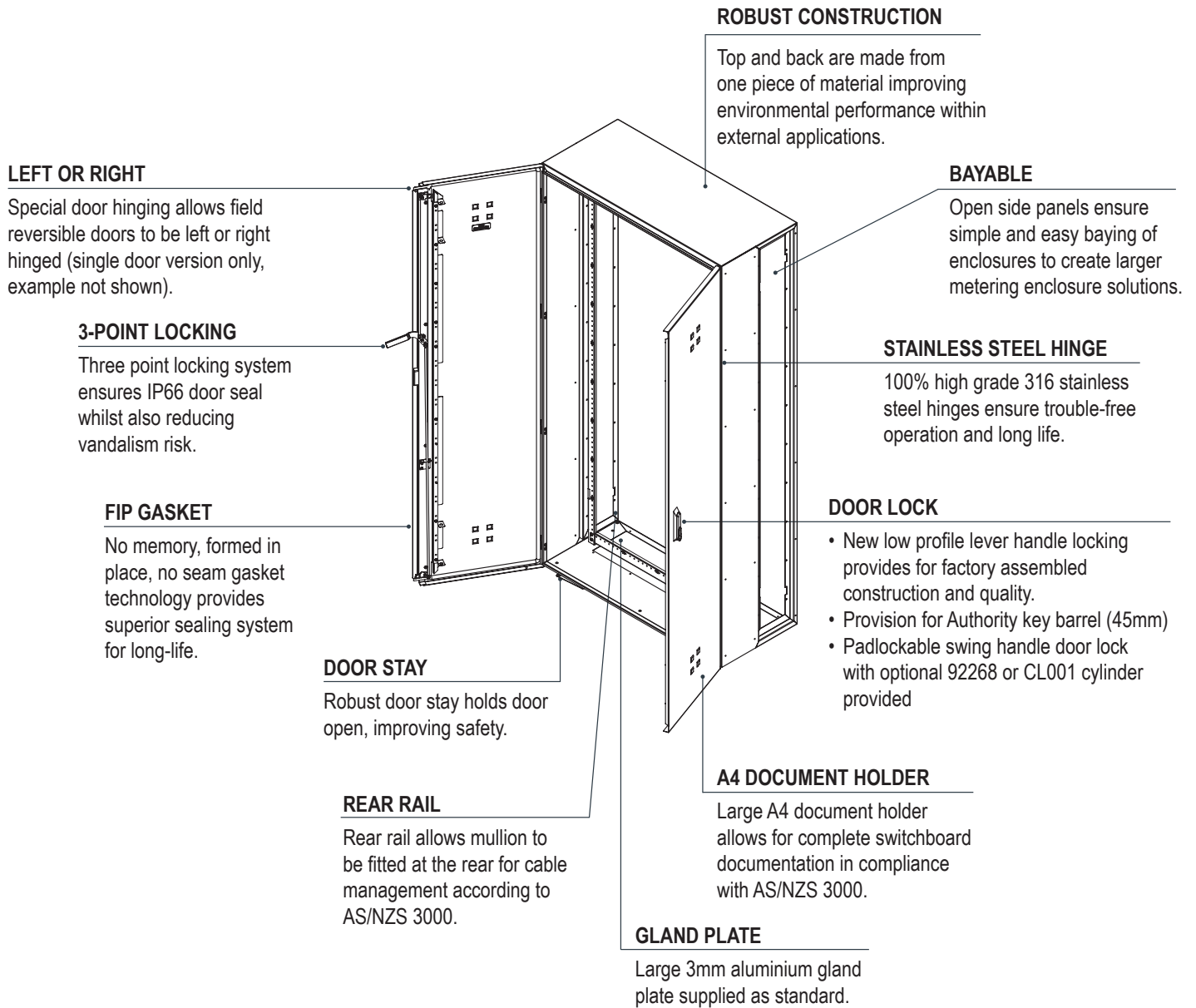
Part Number		Modular Size (dm)		External Dimensions (mm)			Double Door		
Zinc coated steel (RAL7035)	Zinc Coated Steel (X15 Orange)	316 stainless steel (N4 surface finish)	Aluminium* (RAL7035)	Height	Width	Height	Width	Depth	
TGBPRM12H06W	TGBPRM12H06W/RO <sup>▲</sup>	TGBPRM12H06W/S	TGBPRM12H06W/A <sup>▲</sup>	12	6	1270	670	480	
TGBPRM12H10W	TGBPRM12H10W/RO <sup>▲</sup>	TGBPRM12H10W/S	TGBPRM12H10W/A <sup>▲</sup>	12	10	1270	1070	480	•
TGBPRM18H06W	TGBPRM18H06W/RO <sup>▲</sup>	TGBPRM18H06W/S	TGBPRM18H06W/A <sup>▲</sup>	18	6	1870	670	480	
TGBPRM18H10W	TGBPRM18H10W/RO <sup>▲</sup>	TGBPRM18H10W/S	TGBPRM18H10W/A <sup>▲</sup>	18	10	1870	1070	480	•
TGBPRM20H06W	TGBPRM20H06W/RO <sup>▲</sup>	TGBPRM20H06W/S	TGBPRM20H06W/A <sup>▲</sup>	20	6	2070	670	480	
TGBPRM20H10W	TGBPRM20H10W/RO <sup>▲</sup>	TGBPRM20H10W/S	TGBPRM20H10W/A <sup>▲</sup>	20	10	2070	1070	480	•

<sup>▲</sup> Available on request

\*Aluminium enclosures have an external dimension 5mm larger than stated above however internal module sizes are the same.

**All enclosures come standard with a swing handle lock with options for padlocking and/or 92268 keyed cylinders or CL001 keyed cylinders.**

The swing handle is also compatible with all authority keyed cylinders which are best obtained from your local locksmith (except NSW, see accessories below)



## ACCESSORIES

Part Number	Product	Description	To Suit Encl Size
TGYUKNSW <sup>▲</sup>	Key	Assa Abloy NSW Utilities (one only)	All
TGYULNSW <sup>▲</sup>	Lock (Euro Cylinder)	Assa Abloy NSW Utilities (one only)	All
TGYULVIC		Vic Utilities CL001 keyed supplied with 2 keys	
TGY250M5	Screws	M5 Hex head taptite screws (Bag of 250)	All
TGYSR06W	Sunroof	Zinc coated steel powdercoated RAL7035	6W
TGYSR10W			10W
TGYSR06W/RO <sup>▲</sup>		Zinc coated steel powdercoated X15	6W
TGYSR10W/RO <sup>▲</sup>			10W
TGYSR06W/S		Stainless steel N4 finish For Stainless and Aluminium enclosures	6W
TGYSR10W/S			10W

▲ Available on request.

## Side Covers

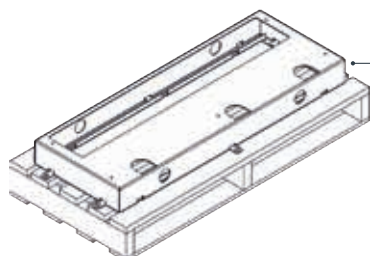
Part Number				Description	To Suit Encl Size
Zinc RAL7035	Zinc X15	Stainless N4	Aluminium RAL7035		
TGYSC12H	TGYSC12H/RO <sup>▲</sup>	TGYSC12H/S	TGYSC12H/A <sup>▲</sup>	Side covers sold as pairs and require a set per each full switchboard  *can also be used as segregation between tiers	12H
TGYSC18H	TGYSC18H/RO <sup>▲</sup>	TGYSC18H/S	TGYSC18H/A		18H
TGYSC20H	TGYSC20H/RO <sup>▲</sup>	TGYSC20H/S	TGYSC20H/A <sup>▲</sup>		20H

▲ Available on request.

## Plinths - Hot Rolled Galvanised

Part Number	Product	Description	External Dimensions (mm)			
			Height	Width	Depth	To Suit Enclosure Size
TGQPRM01H06W/1	Powdercoated Black	For 1 enclosure	100	670	450	6W
TGQPRM01H10W/1			100	1070	450	10W
TGQPRM01H12W/2			For 2 enclosures	100	1340	450
TGQPRM01H16W/2		100		1740	450	10W + 6W
TGQPRM01H18W/3 <sup>▲</sup>		For 3 enclosures	100	2010	450	6W + 6W + 6W
TGQPRM01H06W/1/S <sup>▲</sup>	Stainless Steel N4 Finish	For 1 enclosure	100	670	450	6W
TGQPRM01H10W/1/S			100	1070	450	10W
TGQPRM01H12W/2/S <sup>▲</sup>			For 2 enclosures	100	1340	450
TGQPRM01H16W/2/S		100		1740	450	10W + 6W
TGQPRM01H18W/3/S <sup>▲</sup>		For 3 enclosures	100	2010	450	6W + 6W + 6W

▲ Available on request.



### GALVANISED PLINTH

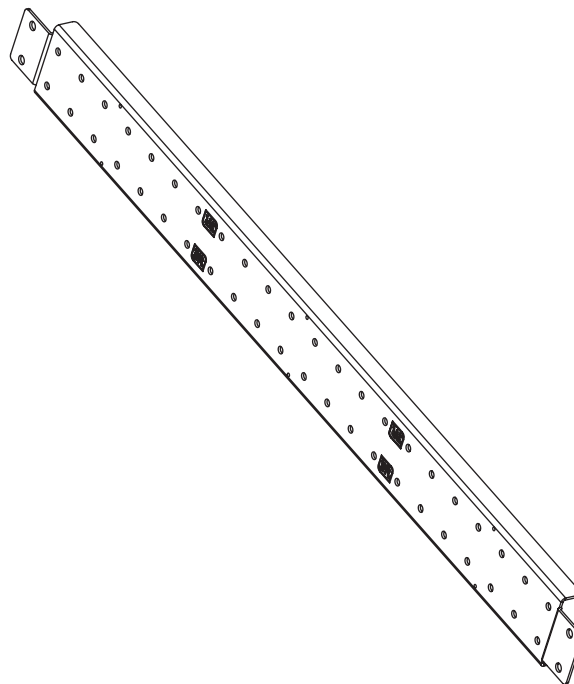
- 50mm Ø holes allow pipe to be used for slinging during installation.
- Corrosion proof fully galvanised rigid 3mm sheet steel plinth.
- Plinth comes pre-fitted with pallet for easy transportation and stability
- Single sheet steel construction provides superior rigidity and strength
- Mounting brackets allow securing of plinth beyond the perimeter of the enclosures, however 100mm clearance is needed on all sides for this feature.

# Primo Range - Components

## Mullion



- Designed to create module spaces.
- Single width mullion is used throughout.
- Manufactured from 1.6mm zinc coated steel.
- Powdercoated Light Grey RAL7035.



## ORDERING GUIDE

Part Number	Module Size (dm)	Width (mm)
TGYMUL02	2	50
TGYMUL04	4	50
TGYMUL06	6	50
TGYMUL08	8	50
TGYMUL10	10	50
TGYMUL12	12	50
TGYMUL14	14	50

## ACCESSORIES

Part Number	Description
TGYFXEK	Fixed escutcheon mounting kit (includes an additional set of brackets and tubenuts)
TGYEPLK▲	Escutcheon padlock brackets to suit all escutcheons (Bag of 5)
TGY250M5	M5 Hex head taptite screws (Bag of 250)

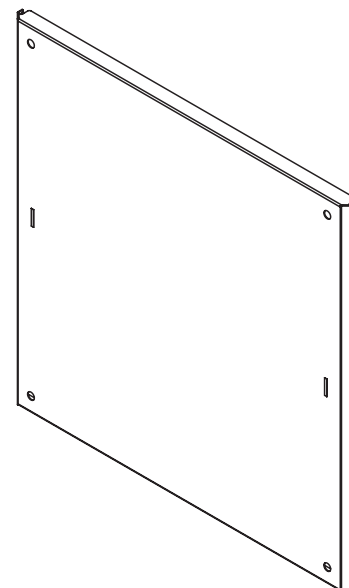
▲ Available on request.

# Primo Range - Components

## Escutcheons



- Unique design, multi-function escutcheon provides multiple options including:
  - Left or right hinged
  - Sealable
  - Padlockable (kit required, sold separately)
  - Fixed (kit required, sold separately)
- Specially designed tubenuts ensure earthing continuity of escutcheon.
- Bevelled edges provide a professional finish.
- Manufactured from 1.2mm zinc coated steel.
- Powdercoated Light Grey RAL7035.



## ORDERING GUIDE

Part Number	Type	Module Size (dm)		
		Height	Width	
TGEBK0106	Blank Escutcheon	1	6	
TGEBK0202		2	2	
TGEBK0204		2	4	
TGEBK0206		2	6	
TGEBK0306		3	6	
TGEBK0402		4	2	
TGEBK0404		4	4	
TGEBK0406		4	6	
TGEBK0601		6	1	
TGEBK0602		6	2	
TGEBK0603		6	3	
TGEBK0604		6	4	
TGEBK0606		6	6	
TGEBK0802 <sup>▲</sup>		8	2	
TGEBK0804		8	4	
TGEBK0806		8	6	
TGEBK1006		10	6	
TGEBK1206 <sup>▲</sup>		12	6	
TGECC0404		Cable Zone Cover	4	4
TGECC0406			4	6
TGECC0410	4		10	

▲ Available on request.

## ACCESSORIES

Part Number	Description
TGYFXEK	Fixed escutcheon mounting kit (includes an additional set of brackets and tubenuts)
TGYEPLK <sup>▲</sup>	Escutcheon padlock brackets to suit all escutcheons (Bag of 5)
TGY250M5	M5 Hex head taptite screws (Bag of 250)
TGY10ESB <sup>▲</sup>	M5 extended sealing bolt (Bag of 10)

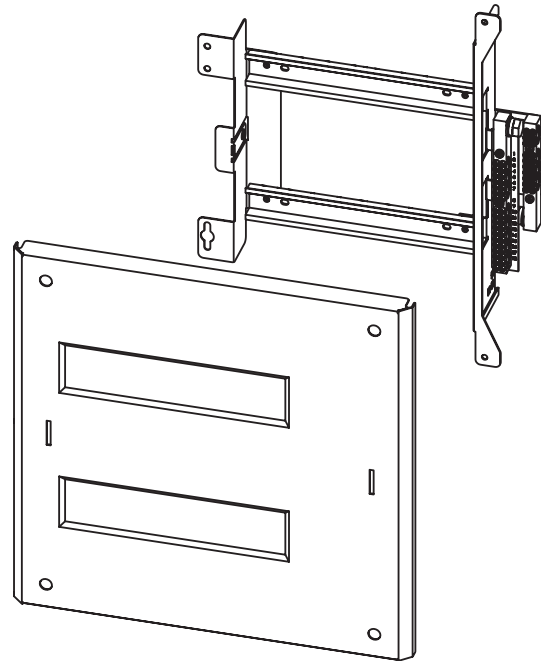
▲ Available on request.

# Primo Range - Components

## DIN Rail Modules



- Keyhole attachment points allow for a one person installation and assembly operation.
- Unique design, multi-function escutcheon provides multiple options including:
  - Left and right hinged
  - Sealable
  - Padlockable
  - Fixed (kit required, sold separately)
- Large link bar tunnels to accept up to 25mm<sup>2</sup>.
- Manufactured from
  - 1.6mm galvanised steel (internals)
  - 1.2mm zinc coated steel (escutcheon)
- Unpainted (internals) or powdercoated Light Grey RAL7035 (escutcheon).



### KEYHOLES

Keyholes allow easy placement of modules into enclosures without having to have a third hand.

### SAFETY

Bevelled DIN cutout area provides additional rigidity.

### SAFETY

All exposed edges are folded back.

### FIXINGS

Unique fixing tubenut remains captive to escutcheon whilst also ensuring continuous earthing.

# Primo Range - Components

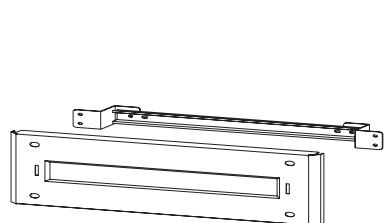
## DIN Rail Modules



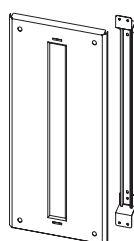
### ORDERING GUIDE

Part Number	No. of Poles	Description	Orientation	Module Size (dm)	
				Height	Width
TGDL12P0204	12	Includes earth & neutral links	Horizontal	2	4
TGDL12P0402	12		Vertical	4	2
TGDL24P0404	24		Horizontal	4	4
TGDL36P0604	36		Horizontal	6	4
TGDL40P0406	40		Horizontal	4	6
TGD16P0204	16	Compact version without earth & neutral links	Horizontal	2	4
TGD27P0206	27		Horizontal	2	6
TGD32P0404	32		Horizontal	4	4
TGD54P0406	54		Horizontal	4	6
TGD16P0402	16		Vertical	4	2
TGD27P0306	27		Horizontal	3	6
TGD27P0602 <sup>▲</sup>	27		Vertical	6	2
TGD27P0603	27		Vertical	6	3
TGD81P0606	81		Horizontal	6	6

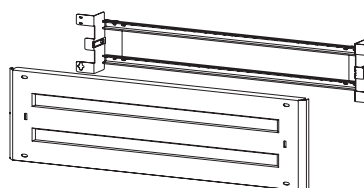
▲ Available on request.



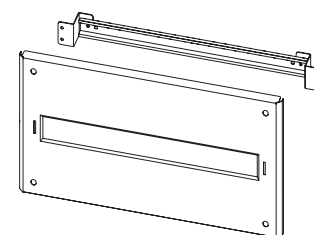
TGD16P0204



TGD27P0603



TGD54P0406



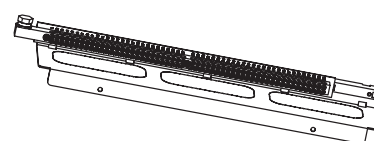
TGD27P0306

### EARTH & NEUTRAL LINK KITS

Part Number	E/N Link Tunnels	Designed to fit
TGD16PEN <sup>▲</sup>	5/10	TGD16P0204
TGD27PEN	10/18	TGD27P0306 / TGD27P0603
TGD81PEN	27/54	TGD81P0606 (two brackets)

\*Refer to pages 53-54 for more information on links

▲ Available on request.



TGD81PEN

### ACCESSORIES

Part Number	Description
TGYFXEK	Fixed escutcheon mounting kit (includes an additional set of brackets and tubenuts)
TGYEPLK <sup>▲</sup>	Escutcheon padlock brackets to suit all escutcheons (Bag of 5)
TGY250M5	M5 Hex head tapitite screws (Bag of 250)
TGY10ESB <sup>▲</sup>	M5 extended sealing bolt (Bag of 10)
TGLBK	E&N brackets (set of two), for LK uncovered links, links excluded
PF6TR	Pole filler 6-pole tool removable
PF6TR/PK	Pole filler kit 6-pole

▲ Available on request.



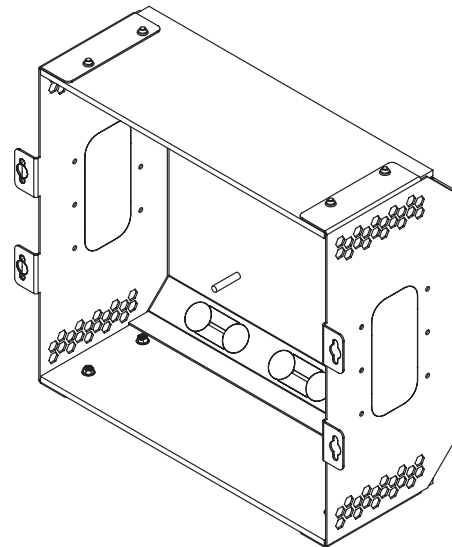
All link bars have tunnels to accept large 25mm<sup>2</sup> cables or smaller.

# Primo Range - Components

## Segregation Modules & Dividers



- Keyhole attachment points allow for a one person installation and assembly operation.
- Knockouts are laser cut to minimise assembly efforts.
- This module fits behind equipment modules to provide segregation and to increase forms of internal separation.
- Four studs allow the fitting of a mounting pan for equipment (excluding TGYSG0402).
- Additional venting is provided at top and bottom to facilitate heat dissipation.
- Mitred corners allow easier access to cables.
- Use segregation module with a DIN rail module to form an Authority Module.
- Manufactured from
  - 1.6mm zinc coated steel
  - Insulated phenolic resin black panel
- Powdercoated Light Grey RAL7035.



### FOUR STUDS

Four studs allows the fitting of a mounting pan for equipment (excluding TGYSG0402).

### KEYHOLES

Keyholes allows placement of modules into an enclosure easily.

### KNOCK-OUTS

Knock-outs are laser cut to minimise assembly efforts. Special edge protector provided with slide to maintain IP2x.

### INSULATED PANEL

Insulated panel allows easy drilling and workability for cable entry.

### SEGREGATION

This module fits behind equipment modules to provide segregation.

### VENTING

Additional venting is provided at top and bottom to facilitate heat dissipation.

### MITRED CORNERS

Mitred corners allow easier access to cables. Round or slotted knockouts for cable entry.

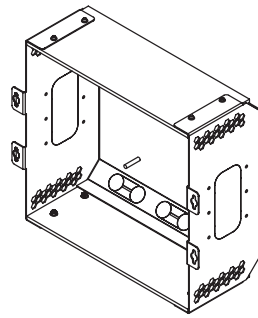


# Primo Range - Components

## Segregation Modules & Dividers



Module Divider (size 6 shown)  
Each divider is supplied with 2 edge protectors that fit into the knock-out areas to protect cables.



Segregation Module (6x6 shown)  
All segregation modules fit in and behind all switchgear modules. This allows an increase in the form factor or simply seal-off certain areas of the switchboard while maintaining IP2X and IPXXB. Top and bottom are insulated black panel to allow easier customisation for cabling. Ventilation is also provided to ensure switchboard temperature rise limits are not exceeded. Escutcheons need to be ordered separately if required.

Part Number	Module Height	Depth (mm)*
TGYDV02	2	196
TGYDV03	3	196
TGYDV04	4	196
TGYDV06	6	196

\* Full enclosure depth

Part Number	Module Size		
	Height	Width	Depth (mm)*
TGYSG0402 <sup>▲</sup>	4	2	160
TGYSG0404 <sup>▲</sup>	4	4	160
TGYSG0406 <sup>▲</sup>	4	6	160
TGYSG0604 <sup>▲</sup>	6	4	160
TGYSG0606 <sup>▲</sup>	6	6	160
TGYSG0806 <sup>▲</sup>	8	6	160
TGYSG1006 <sup>▲</sup>	10	6	160
TGYSG1206 <sup>▲</sup>	12	6	160

\* Allows 40mm space behind segregation module and back of enclosure.

<sup>▲</sup> Available on request.

## ACCESSORIES

Part Number	Description
TGY250M5	M5 Hex head taptite screws (Bag of 250)
TGYEP <sup>▲</sup>	Clip-on cable entry edge protector (5 sets)

<sup>▲</sup> Available on request.

# Primo Range - Components

## Switchgear Modules

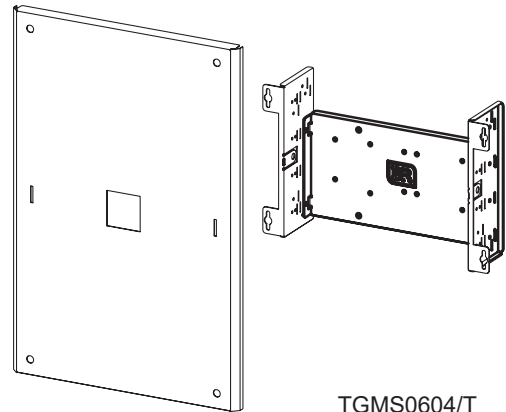


- Keyhole attachment points allow for a one person installation and assembly operation.
- Dual or single MCCB fitting with laser cut escutcheon knockouts allows multiple position of switchgear.
- Open frame structure allows for easy wiring.

Manufactured from

- 1.6mm galvanised steel (internals)
- 1.2mm zinc coated steel (escutcheon)

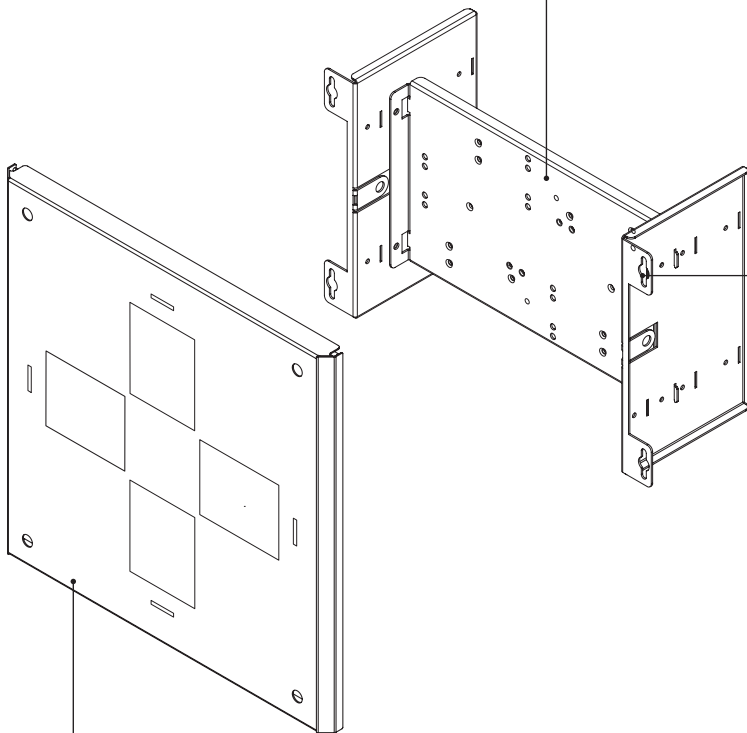
- Unpainted (internals) or powdercoated Light Grey RAL7035 (escutcheon).



TGMS0604/T

### FLEXIBILITY

Adjustable mounting pan depth for different gear mounting.



### KEYHOLES

Keyholes allow easy placement of modules into enclosures without having to have three hands.

### MULTI-FUNCTION ESCUTCHEON

Unique design provides multiple options including:

- Left and right hinged
- Sealable
- Padlockable
- Fixed (kit required)



Switchgear devices are NOT included and should be ordered separately from the switchgear manufacturer.

# Primo Range - Components

## Switchgear Modules



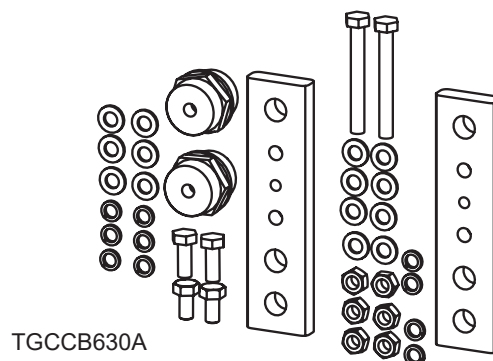
### SWITCHGEAR MODULES

Module Part Code	Schneider												Terasaki											
	TGMC0204/C	TGMC0402/C	TGMC0306/C	TGMC0603/C	TGMC0603/C	TGMC0404/C	TGMC0604/C	TGMC0604/C	TGMC0606/C	TGMC0606/C	TGMCNS0604/C	TGMCNS0606/C	TGMC0204/TPRO	TGMC0306/TPRO	TGMC0402/TPRO	TGMC0404/TPRO	TGMC0603/TPRO	TGMC0606/TPRO	TGMS0404/T	TGMS0406/T	TGMS0604/T	TGMS0606/T		
	possible number of 3-pole devices per module																							
Module Size	2x4	4x2	3x6	6x3	6x3	4x4	6x4	6x4	6x6	6x6	6x4	6x6	2x4	3x6	4x2	4x4	6x3	6x6	4x4	4x6	6x4	6x6		
NSXm100-160	1	1	2	2		2	2		3															
NSX100-250	1	1	1	1		2	2		3															
NSX400-630					1			1	2															
INS100-160			1	1		2	2		3															
INS160-250					1			1	2															
INS320-630					1			1	2															
NS630											1	1												
FSD-00			1	1		2	2		3				1	1	1	2	1	2						
FSD-02								1	2					1			1	2						
A160													1	1	1	2	1	2						
P160													1	1	1	2	1	2						
A250, P250													1	1	1	2	1	2						
P400, P630														1			1	2						
SLB125/160PD																				2	2	2	2	
SLB200/250PD																				1	1	2	2	
SLB400/630PD																					1	1	2	
TGCCB630A (E&N Bar Kit - 630 Amps)			Y	Y	Y	Y	Y	Y	Y	Y	Y			Y		Y	Y	Y						

### ACCESSORIES

Part Number	Description
TGYFXEK	Fixed escutcheon mounting kit (includes an additional set of brackets and tubenuts)
TGYEPLK▲	Escutcheon padlock brackets to suit all escutcheons (Bag of 5)
TGY250M5	M5 Hex head taptite screws (Bag of 250)
TGY10ESB▲	M5 extended sealing bolt (Bag of 10)

▲ Available on request.



# Primo Range - Components

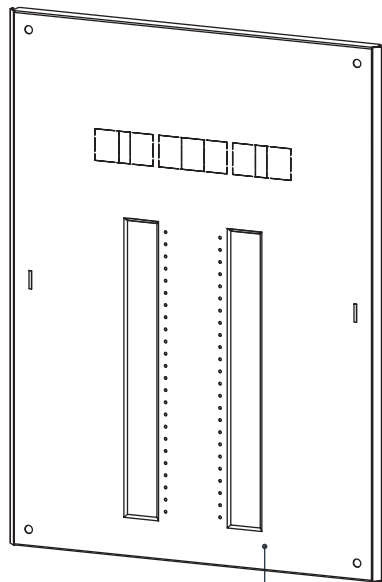
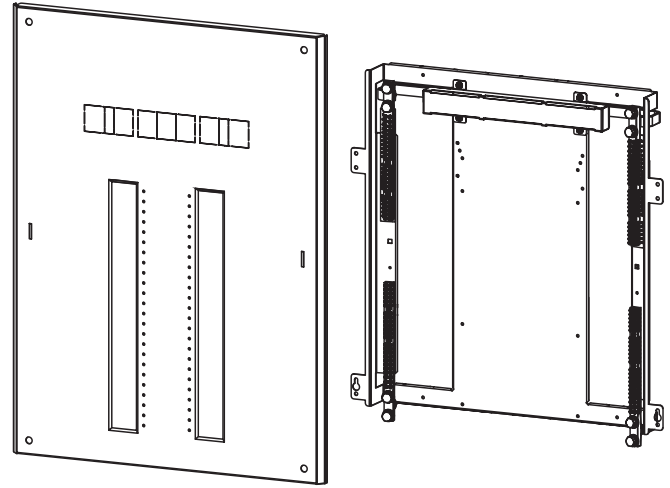
## Chassis Modules



- Keyhole attachment points allow for a one person installation and assembly operation.
- Open frame structure allows for easy wiring from MCBs to outgoing circuits.
- All circuits are numbered according to AS/NZS 3000.
- Manufactured from
  - 1.6mm galvanised steel (internals)
  - 1.2mm zinc coated steel (escutcheon)
- Unpainted (internals) or powdercoated Light Grey RAL7035 (escutcheon).

Comes standard with:

- Pre-cut escutcheon
- Earth and neutrals on each side
- Neutral bridge to connect left and right neutral



### MULTI-FUNCTION ESCUTCHEON

Unique design provides multiple options including:

- Left and right hinged
- Sealable
- Padlockable (kit required)
- Fixed (kit required)

### NEUTRALS

Positioned both left and right of chassis for easy wiring. Neutrals linked with copper busbar bridge.

### NEUTRAL BRIDGE

Connects left and right side neutral bars.

### INTEGRATED EARTH

Provided for simple wiring requirements.

# Primo Range - Components

Chassis Modulesv

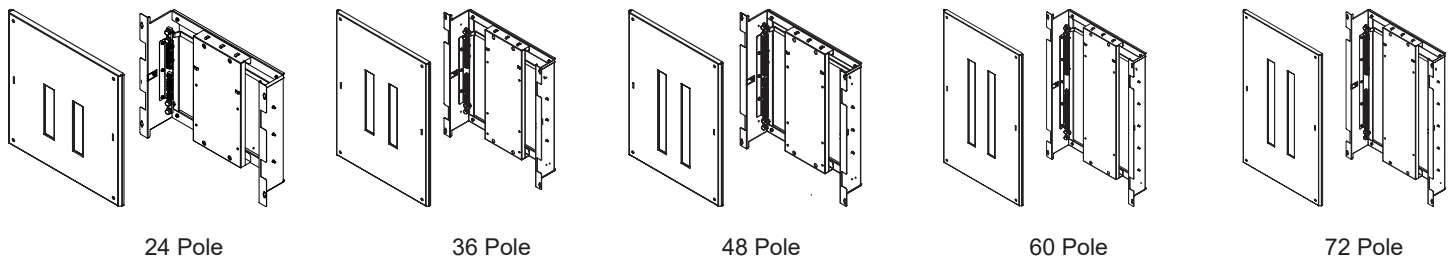


## ORDERING GUIDE

Part Number	Product	Description	Poles	Module Size	
				Height	Width
TGJ24P0606/C	Schneider SAU MCB chassis	Provision for mains switch	24	6	6
TGJA36P0606/C			36	6	6
TGJA36P0806/C		Provision for mains switch	36	8	6
TGJ48P0806/C		Provision for mains switch	48	8	6
TGJA60P0806/C			60	8	6
TGJB60P1006/C		Provision for mains switch	60	10	6
TGJ72P1006/C		Provision for mains switch	72	10	6
TGJA24P0606/T▲	NHP NC / Grizz MCB chassis top feed		24	6	6
TGJB24P0606/T▲		Provision for mains switch	24	6	6
TGJA36P0606/T▲			36	6	6
TGJB36P0806/T		Provision for mains switch	36	8	6
TGJA48P0806/T▲			48	8	6
TGJB48P0806/T▲		Provision for mains switch	48	8	6
TGJA60P0806/T▲			60	8	6
TGJB60P1006/T▲	Provision for mains switch	60	10	6	
TGJA72P1006/T▲		72	10	6	
TGJB72P1006/T▲	Provision for mains switch	72	10	6	

Note: All chassis modules are designed for top fed single ended chassis only.

▲ Available on request.



24 Pole

36 Pole

48 Pole

60 Pole

72 Pole



Chassis assembly is NOT included and should be ordered separately from the switchgear manufacturer.

## ACCESSORIES

Part Number	Description
TGYFXEK	Fixed escutcheon mounting kit (includes an additional set of brackets and tubenuts)
TGYEPLK▲	Escutcheon padlock brackets to suit all escutcheons (Bag of 5)
TGY250M5	M5 Hex head tapite screws (Bag of 250)
PF6TR/PK	Filler Pole Tool Removable 3x6 pole Pack

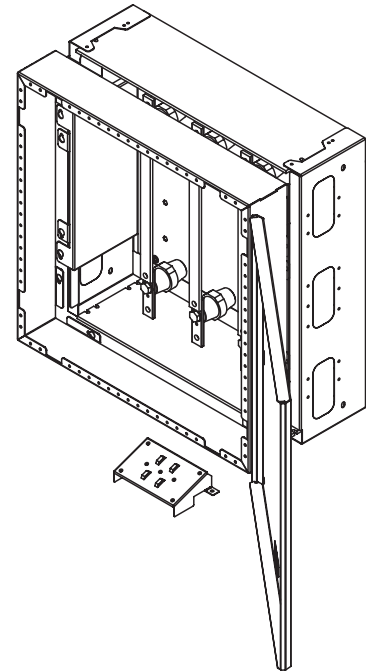
▲ Available on request.

# Primo Range - Components

## CT Modules



- Keyhole attachment points allow for a one person installation and assembly operation.
- CT module is the same size for 400A and 630A CTs.
- Transparent screen covers are provided as an accessory for compliance to regulatory rules and improved safety.
- Potential fuse bracket provided as a standard inclusion.
- 400A version suits all S-Type CT's for either 200A or 400A applications.
- 630A version suits T-Type CT's.
- Alternative CT mounting positions for Queensland regulations.
- Manufactured from
  - 1.6mm galvanised steel (internals)
  - 1.2mm zinc coated steel (escutcheon)
- Unpainted (internals) or powdercoated Light Grey RAL7035 (escutcheon).



### INSULATED PANEL

Insulated panel allows easy drilling and workability for cable entry.

### INTERNAL SPACE

Large 600 x 600 internal space provides ample space for cabling.

### CERTIFIED CHASSIS

CT Chassis is fully Type-Tested to the latest Australian Standard AS/NZS 61439.

### MULTI-FUNCTION ESCUTCHEON

Unique design provides multiple options including:

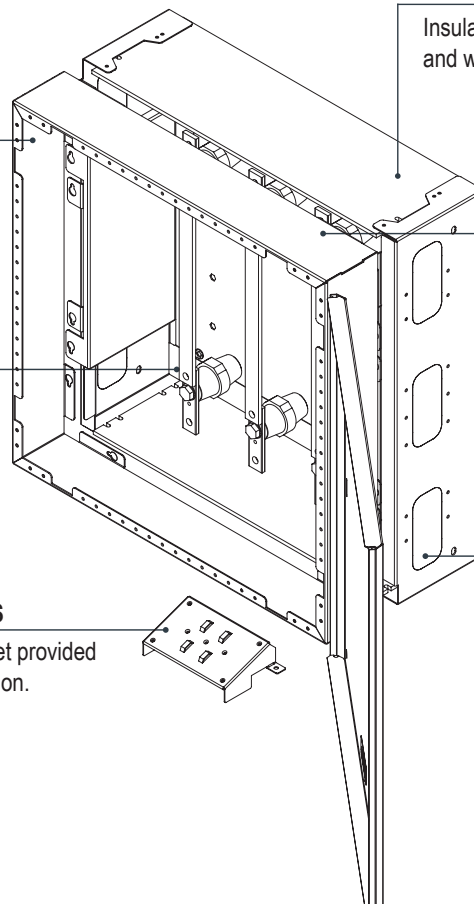
- Left and right hinged
- Sealable
- Padlockable (kit required)
- Fixed (kit required)

### POTENTIAL FUSES

Potential fuse bracket provided as a standard inclusion.

### KNOCK-OUTS

Knock-outs are laser cut to minimise assembly. A special edge protector is provided with slide to maintain IP2x.



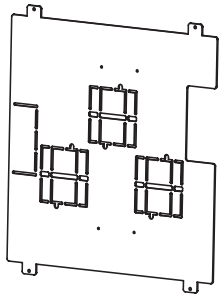
# Primo Range - Components

## CT Modules



### ORDERING GUIDE

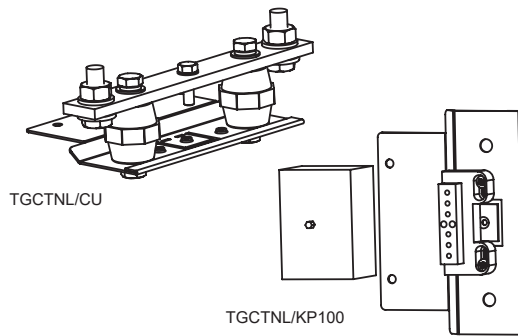
Part Number	Amps	Module Size (dm)		Fault Rating	CT Type
		Height	Width		
TGCT400A0606	400	6	6	25kA for 1 sec	S
TGCT630A0606	630	6	6	36kA for 1 sec	T



#### Safety Screen\*

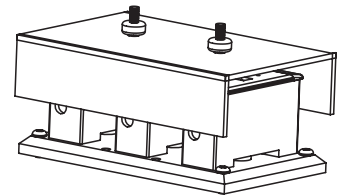
Part Number	Module Size	
	Height	Width
TGCTSC0606	6	6

\* Required for NSW



#### Neutral Links

Part Number	Product
TGCTNL/CU	With short copper bar
TGCTNL/KP100	With KP100/5



#### CT Potential Fuse Kit

not supplied with fuse inserts (accepts BS88 HRC off set fuse)

Part Number	Product
CTPFK	With Insulating Base

### ORDERING GUIDE

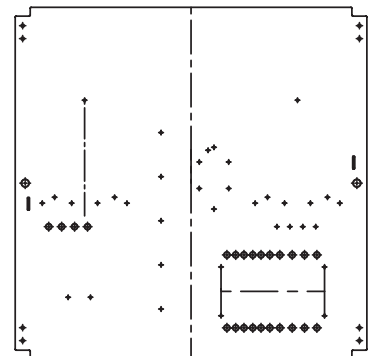
#### CT Label (124W X 50H) \*

Part Number	Product
TGCTLBA <sup>▲</sup>	ACT Supply Authority
TGCTLBN <sup>▲</sup>	NSW Supply Authority
TGCTLBQ	QLD Supply Authority
TGCTLBT <sup>▲</sup>	TAS Supply Authority
TGCTLBW	WA Supply Authority
TGCTLBVS <sup>▲</sup>	VIC & SA Supply Authority

\* Each State requires a specific wording on CT labels.  
<sup>▲</sup> Available on request.

#### Pre-Drilled CT Meter Panels

Part Number	State	Module Size	
		Height	Width
TGPQCT0606	QLD	6	6
TGPNCT0606	NSW	6	6
TGPVCT0606	VIC	6	6
TGPSCT0606	SA	6	6



Pre-Drilled CT Meter Panels

### ACCESSORIES

Part Number	Description
TGYFXEK	Fixed escutcheon mounting kit (includes an additional set of brackets and tubenuts)
TGYEPLK <sup>▲</sup>	Escutcheon padlock brackets to suit all escutcheons (Bag of 5)
TGY250M5	M5 Hex head taptite screws (Bag of 250)
TGY10ESB <sup>▲</sup>	M5 extended sealing bolt (Bag of 10)
TGYEP <sup>▲</sup>	Clip-on cable entry edge protector (5 sets)

<sup>▲</sup> Available on request.

# Primo Range - Components

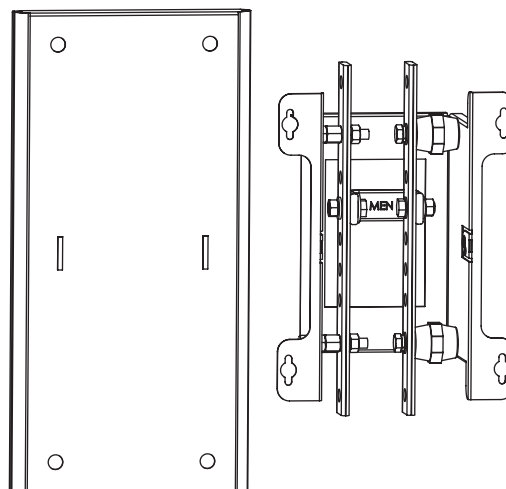
## Link Modules



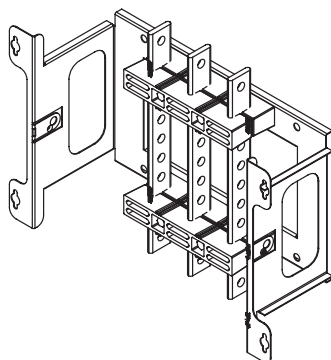
- Keyhole attachment points allow for a one person installation and assembly operation.
- Various cable sizes on all types of link modules ensures flexibility.
- Incomer links allow simplicity for incoming termination of cables, reducing errors.
- Provides for multiple cable terminations.
- Manufactured from
  - 1.6mm galvanised steel (internals)
  - 1.2mm zinc coated steel (escutcheon)
- Unpainted (internals) or powdercoated Light Grey RAL7035 (escutcheon).

Comes standard with:

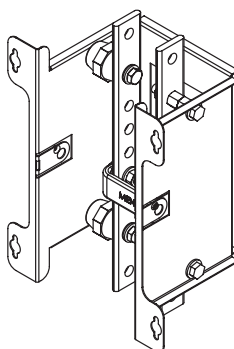
- Hinged escutcheon
- Label (MEN links only)



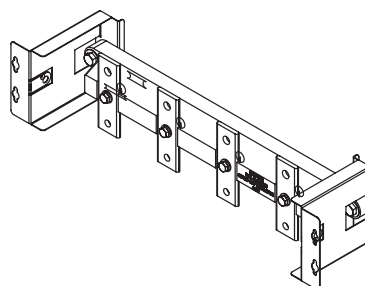
ACTIVE LINKS



MEN LINKS



INCOMER LINKS



## ORDERING GUIDE

Part Number	Product	Amps	Module Size	
			Height	Width
TGLM25A0402	Copper Bar MEN Links	250	4	2
TGLM63A0404		630	4	4
TGLNK0206	Incomer Termination Link	630	2	6
TGLA12A0206	Covered Rear Active Links (Excludes Links)*	400	2	6
TGLA63A0404	Active Links	630	4	4
TGLBK	E&N bracket for LK links	-	-	-



Uncovered links are available for use with this product. See page 52 for more information.

## ACCESSORIES

Part Number	Description
TGYFXEK	Fixed escutcheon mounting kit (includes an additional set of brackets and tubenuts)
TGYEPLK <sup>▲</sup>	Escutcheon padlock brackets to suit all escutcheons (Bag of 5)
TGY250M5	M5 Hex head taptite screws (Bag of 250)

<sup>▲</sup> Available on request.



# Primo Range - Components

## Covered Links



- Suitable for domestic and commercial metering applications.
- Designed to comply with AS 5112.
- Exceeds AS/NZS 61439 requirements for 960° glow wire testing.
- Generous tunnel sizing for large cables.
- Sealable.
- Various colour covers to identify active conductors.
- Robust polycarb plastic



## ORDERING GUIDE

Part Number			Rating	Cable size No. tunnels x (mm <sup>2</sup> )	No. of Tunnels
Clear	Red	Black			
LK5C35	LK5R35	LK5B35	100A	3x35; 2x16	5
LK5C	LK5R <sup>▲</sup>	LK5B <sup>▲</sup>	100A	5x16	5
LK6C35 <sup>▲</sup>	LK6R35 <sup>▲</sup>	LK6B35 <sup>▲</sup>	100A	1x35; 5x16	6
LK7C35	LK7R35 <sup>▲</sup>	LK7B35	100A	1x35; 6x16	7
LK7C	LK7R	LK7B	100A	7x16	7
LK10C35 <sup>▲</sup>	LK10R35	LK10B35	100A	1x35; 9x16	10
LK10C	LK10R <sup>▲</sup>	LK10B <sup>▲</sup>	100A	10x16	10
LK13C35 <sup>▲</sup>	LK13R35 <sup>▲</sup>	LK13B35	100A	1x35; 12x16	13
LK18C	LK18R <sup>▲</sup>	LK18B <sup>▲</sup>	100A	18x16	18
LK100A14TC16	-	-	100A	3x35; 11x16	4
LKT4C35 <sup>▲</sup>	LKT4R35 <sup>▲</sup>	LKT4B35	140A	4x35	4
LK165A7C70 <sup>▲</sup>	LK165A7R70	LK165A7B70	165A	2x70; 1x35; 2x25; 2x16	7
LK165A13C70 <sup>▲</sup>	LK165A13R70 <sup>▲</sup>	LK165A13B70 <sup>▲</sup>	165A	2x70; 1x35; 4x25; 4x16; 2x10	13
-	-	LK250A4B35 <sup>▲</sup>	100A	4x35	4
LK400A7C150	LK400A7R150	LK400A7B150 <sup>▲</sup>	400A	2x150; 2x50; 3x35	7
LK400A13C150 <sup>▲</sup>	LK400A13R150	LK400A13B150	400A	2x150; 1x35; 2x16	13

▲ Available on request.

# Primo Range - Components

## Uncovered Links



- Suitable for domestic and commercial metering applications.
- Designed to comply with AS 5112.
- Generous tunnel sizing for large cables.
- Studs provide lug termination.
- Numbered tunnels.



## ORDERING GUIDE

Part Number	Description	Amps	Tunnels	Length
LKFEET	A pair of link bar support feet	–	–	–
LK90A4 <sup>▲</sup>	Link 90A 4 Tunnels 16mm <sup>2</sup>	90	4	54.5
LK90A6	Link 90A 6 Tunnels 16mm <sup>2</sup>	90	6	68.0
LK90A8	Link 90A 8 Tunnels 16mm <sup>2</sup>	90	8	81.0
LK90A12	Link 90A 12 Tunnels 16mm <sup>2</sup>	90	12	106.0
LK165A12	Link 165A 2 x M10 Studs 12 Tunnels 16mm <sup>2</sup>	165	12	144.0
LK165A18 <sup>▲</sup>	Link 165A 2 x M10 Studs 18 Tunnels 16mm <sup>2</sup>	165	18	185.0
LK165A24 <sup>▲</sup>	Link 165A 2 x M10 Studs 24 Tunnels 16mm <sup>2</sup>	165	24	227.0
LK165A36 <sup>▲</sup>	Link 165A 2 x M10 Studs 36 Tunnels 16mm <sup>2</sup>	165	36	331.0
LK250A12	Link 250A 2 x M8 Studs 12 Tunnels 2x35 / 10x16mm <sup>2</sup>	250	12	153.0
LK250A18 <sup>▲</sup>	Link 250A 2 x M8 Studs 18 Tunnels 2x35 / 16x16mm <sup>2</sup>	250	18	197.0
LK250A24 <sup>▲</sup>	Link 250A 2 x M8 Studs 24 Tunnels 2x35 / 22x16mm <sup>2</sup>	250	24	238.0
LK250A36 <sup>▲</sup>	Link 250A 2 x M8 Studs 18 Tunnels 4x35 / 32x16mm <sup>2</sup>	250	18	328.0

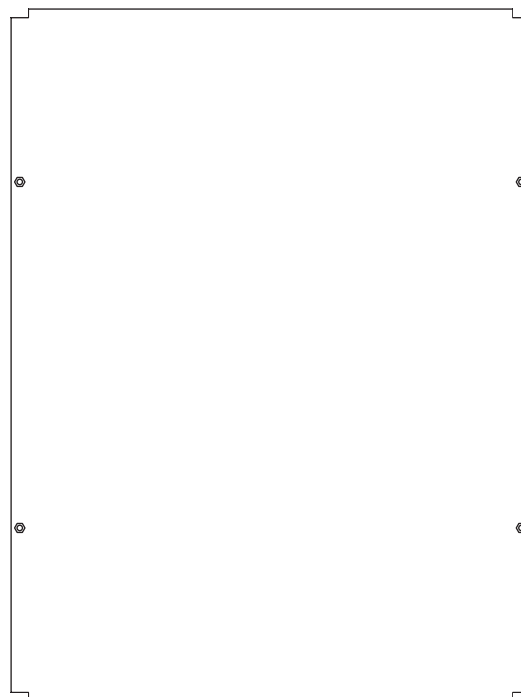
▲ Available on request.

# Primo Range - Components

## Panels



- Panels can be pre-drilled to suit authority meter patterns.
- Can be supplied blank for free placement of meters.
- High grade paper phenolic resin black panel (Asbestos Free)
- Waterproof (hygroscopic).
- Exceeds 960°C glow-wire test requirements as per the Australian Standards AS/NZS 61439.
- Fitted with hinges to allow either left or right hand hinging.
- Requires matching enclosure side male hinge kits to suit application requirements.
- Can be made as a fixed panel (not hinged) using fixed panel mounting kit (TGPFXPK).



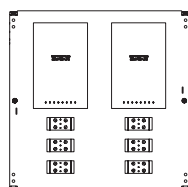
## ORDERING GUIDES

### QLD Pre-Drilled Meter Panels

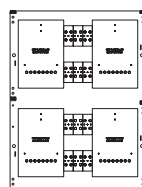
Part Number	Meters	Module Size	
		Height	Width
TGPQ5M1P0606	5 x 1-Phase	6	6
TGPQ10M1P1206	10 x 1-Phase	12	6
TGPQ2M3P0606	2 x 3-Phase	6	6
TGPQ6M3P1006	6 x 3-Phase	10	6
TGPQCT0606	CT	6	6

### NSW Pre-Drilled Meter Panels

Part Number	Meters	Module Size	
		Height	Width
TGPN6M1P0606	6 x 1-Phase	6	6
TGPN9M1P1006	9 x 1-Phase	10	6
TGPN12M1P1206	12 x 1-Phase	12	6
TGPN2M3P0606	2 x 3-Phase	6	6
TGPN4M3P0806	4 x 3-Phase	8	6
TGPN6M3P1006	6 x 3-Phase	10	6
TGPNCT0606	CT	6	6



TGPQ2M3P0606



TGPN4M3P0806



All panels require either TGPSHX or TGDFxx for installation. See page 60 for a list of accessories available.

# Primo Range - Components

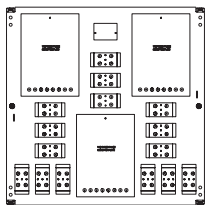
## Panels



### VIC Pre-Drilled Meter Panels

Part Number	Description	Hinged	Module Size	
			Height	Width
TGPV1M3P0404	1 x 3-Phase	Left or Right	4	4
TGPV1M3P0603 <sup>▲</sup>	1 x 3-Phase	Left or Right	6	3
TGPV2M1P0404 <sup>▲</sup>	2 x 1-Phase	Left or Right	4	4
TGPV2M1P0603 <sup>▲</sup>	2 x 1-Phase	Left or Right	6	3
TGPV3M3P0606	3 x 3-Phase	Left or Right	6	6
TGPV6M3P1006	6 x 3-Phase	Left or Right	10	6
TGPV6ML1P0606 <sup>▲</sup>	6 x 1-Phase	Left	6	6
TGPV6MR1P0606 <sup>▲</sup>	6 x 1-Phase	Right	6	6
TGPV4M3P0806	4 x 3-Phase	Right	6	6
TGPV8M3P1206	8 x 3-Phase	Left or Right	12	6
TGPV9ML1P1006 <sup>▲</sup>	9 x 1-Phase	Left	10	6
TGPV9MR1P1006	9 x 1-Phase	Right	10	6
TGPV12ML1P1206	12 x 1-Phase	Left	12	6
TGPV12MR1P1206	12 x 1-Phase	Right	12	6
TGPVCT0606	CT	Left or Right	6	6

▲ Available on request.



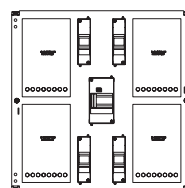
SIR Approval #SIR140615B

TGPV3M3P0606

### SA Pre-Drilled Meter Panels

Part Number	Description	Module Size	
		Height	Width
TGPS4M1P0606 <sup>▲</sup>	4 x 1-Phase	6	6
TGPS6M1P1006 <sup>▲</sup>	6 x 1-Phase	10	6
TGPS8M1P1006 <sup>▲</sup>	8 x 1-Phase	10	6
TGPS2M3P0606 <sup>▲</sup>	2 x 3-Phase	6	6
TGPSCT0606	CT	6	6

▲ Available on request.



TGPS4M1P0606

## ACCESSORIES

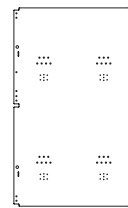
Part Number	Description
TGPFXPK <sup>▲</sup>	Fixed panel mounting kit
TGPSHK2 <sup>▲</sup>	Dual hinged surface mount panel hinging kit
TGPSHK3	Triple hinged surface mount panel hinging kit
TGPDF04	Double hinged flap for 4H panel
TGPDF06	Double hinged flap for 6H panel
TGPDF08	Double hinged flap for 8H panel
TGPDF10	Double hinged flap for 10H panel
TGPDF12	Double hinged flap for 12H panel

▲ Available on request.

### WA Pre-Drilled Meter Panels

Part Number	Description	Module Size	
		Height	Width
TGPW10M1P1206	10 x 1-Phase	12	6
TGPW2M1P0606 <sup>▲</sup>	2 x 1-Phase	6	6
TGPW2M3P0606 <sup>▲</sup>	2 x 3-Phase	6	6
TGPW4M1P0606	4 x 1-Phase	6	6
TGPW4M1P1006 <sup>▲</sup>	4 x 1-Phase	10	6
TGPW4M3P1006 <sup>▲</sup>	4 x 3-Phase	10	6
TGPWCT0606	CT	6	6

▲ Available on request.

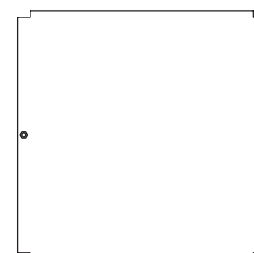


TGPW4M1P1006

### Plain Black Panels

Part Number	Module Size	
	Height	Width
TGP0404 <sup>▲</sup>	4	4
TGP0603 <sup>▲</sup>	6	3
TGP0604	6	4
TGP0606	6	6
TGP0806	8	6
TGP1006 <sup>▲</sup>	10	6
TGP1206	12	6

▲ Available on request.



TGP0404

## AUSTRALIA

Sales  
T: 1300 Enclosures (1300 362 567)  
E: sales@brenclosures.com.au  
brenclosures.com.au

### QUEENSLAND

Brisbane Manufacturing, Sales & Warehouse  
51 Stradbroke Street  
Heathwood QLD 4110  
(PO Box 1151)  
Browns Plains BC QLD 4118  
T: +61 7 3714 1111  
E: salesqld@brenclosures.com.au

### NORTH QUEENSLAND

Townsville Sales & Warehouse  
Unit 4/ 780 Ingham Road  
Mount Louisa, QLD 4814  
(PO Box 7615)  
Garbutt QLD 4814  
T: +61 7 4727 1900  
E: salestvl@brenclosures.com.au

### NEW SOUTH WALES

NSW & ACT Sales & Warehouse  
7 Metters Place  
Wetherill Park NSW 2164  
T: +61 2 9915 9555  
E: salesnsw@brenclosures.com.au

### NEWCASTLE Distribution

Ross Joice Agencies Pty Ltd  
109-111 Broadmeadow Road  
Broadmeadow NSW 2292  
T: +61 2 4961 4433

### VICTORIA

VIC & TAS Sales & Warehouse  
Unit 1, 60-62 Abbott Road  
Hallam VIC 3803  
T: +61 3 9552 0552  
E: salesvic@brenclosures.com.au

### TASMANIA Distribution

W P Martin Pty Ltd  
85 Elizabeth Street  
Launceston TAS 7250  
T: +61 3 6331 5545

### SOUTH AUSTRALIA

SA & NT Manufacturing, Sales & Warehouse  
505 Grand Junction Road  
Wingfield SA 5013  
T: +61 8 8417 6222  
E: salessa@brenclosures.com.au

### NORTHERN TERRITORY Distribution

Jewell Distributors Pty Ltd  
Cnr Hidden Valley & Beaton Roads  
Berrimah NT 0828  
T: +61 8 8947 0870

### WESTERN AUSTRALIA

WA Sales Office & Warehouse  
6 Montgomery Way  
Malaga WA 6090  
T: +61 8 6310 4777  
E: saleswa@brenclosures.com.au

## NEW ZEALAND

Sales  
B&R Enclosures Limited  
T: 0800 Enclosures (0800 362 567)  
E: sales@brenclosures.co.nz  
brenclosures.co.nz

### AUCKLAND Distribution

Matchmaster  
Unit 6103 Cryers Road  
East Tamaki Auckland NZ 2013  
T: +64 9 265 2097  
E: sales@brenclosures.co.nz

### CHRISTCHURCH Distribution

Matchmaster  
17 Washbournes Road  
Wigram Christchurch NZ 8042  
T: +64 3 348 0659  
E: sales@brenclosures.co.nz